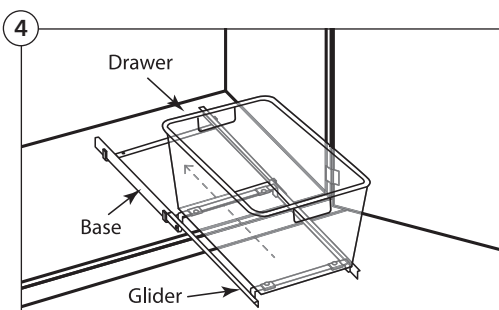
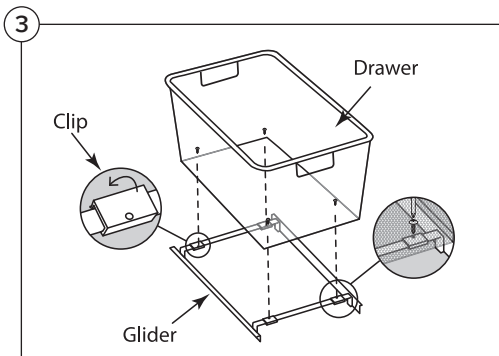
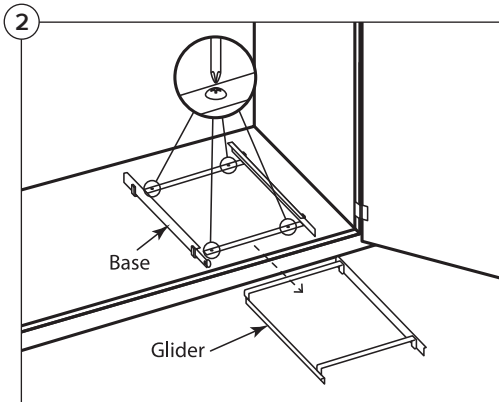
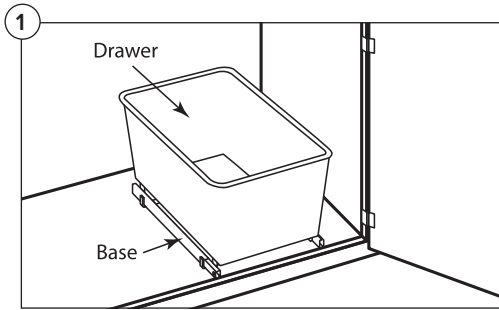


elfa® Pull-Out Cabinet Drawer Assembly Instructions



Tools needed: Drill, Screwdriver

TIPS FOR GETTING STARTED

Make sure that the edge of the drawer is 2" or 50mm from the front edge of the cabinet.

Install the Base

- 1 Position Drawer and Base in your cabinet in the desired location, allowing clearance for door to close.
- 2 Remove the Glider from the Base and place on a flat surface.
 - Mark the location of the holes in the Base inside the cabinet.
 - Drill a pilot hole at each marked location.
 - Use a screwdriver to secure the Base inside your cabinet using the included screws.

Add Drawer to Base

- 3 Install one Clip at each corner of the Glider.
- 4 Align the Drawer over the clips and use the included screws to attach the Drawer to the Glider.
 - Insert the Drawer and Glider into the Base mounted inside your cabinet.

For installation videos, visit [containerstore.com/elfa/installation](https://www.containerstore.com/elfa/installation)

ONLY AT 