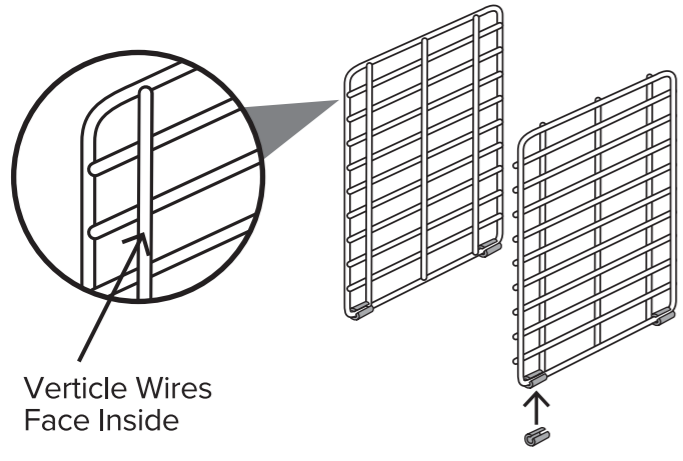
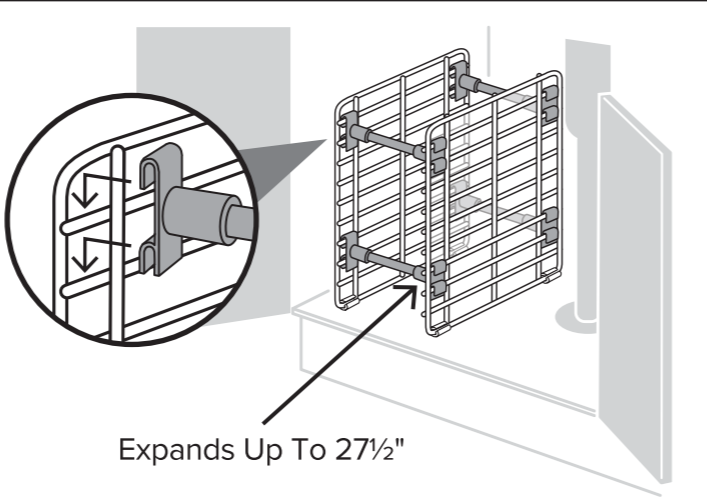


# How to Assemble

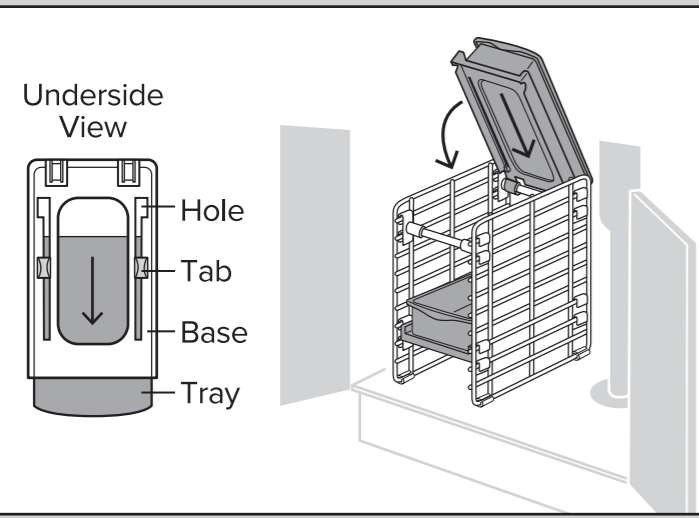
1



2



3



4

