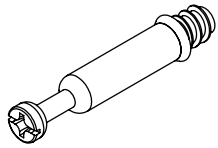


A	Right Panel	1
B	Back Panel	1
C	Partition	1
D	Bottom Panel	1
E	Left Panel	1
F	Top Panel	1
G	Drawer Back Panel	1
H	Drawer Left Panel	1
I	Drawer Right Panel	1
J	Drawer Bottom	1
K	Drawer Front Panel	1

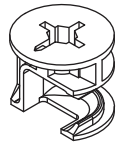
Please review the hardware listed on the next page as well as individual components of this product. As you unpack and prepare for assembly, place the contents on a carpeted or padded area to protect them from damage.



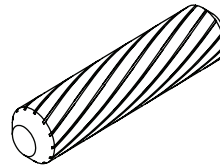
**H1 x 22
CAM BOLT**



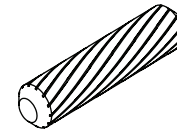
**H2 x 8
SMALL CAM**



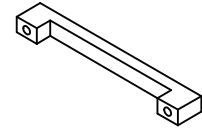
**H3 x 14
LARGE CAM**



**H4 x 16
LARGE DOWEL**



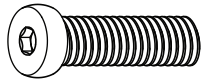
**H5 x 8
SMALL DOWEL**



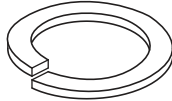
**H6 x 1
HANDLE**



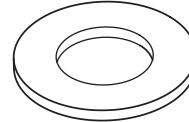
**H7 x 2
BOLT**



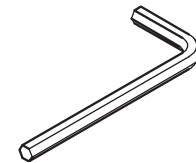
**H8 x 4
BOLT**



**H9 x 4
LOCK
WASHER**

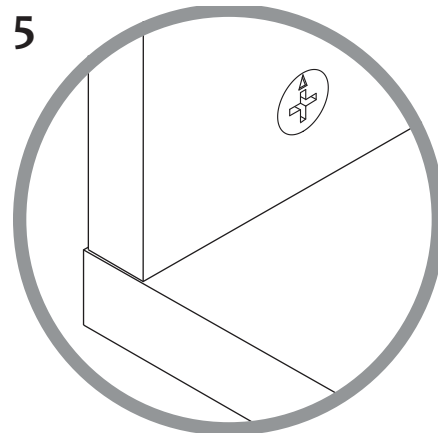
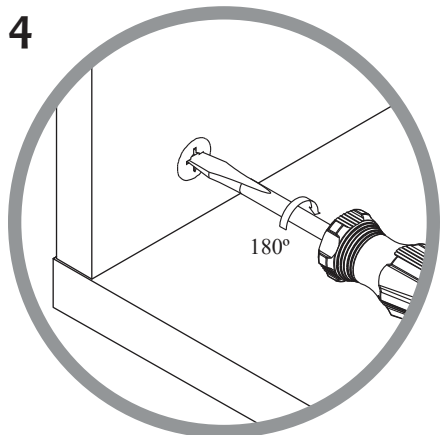
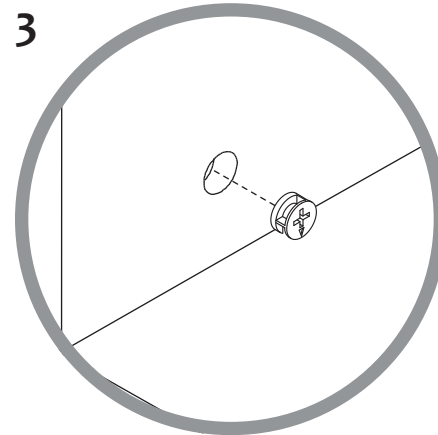
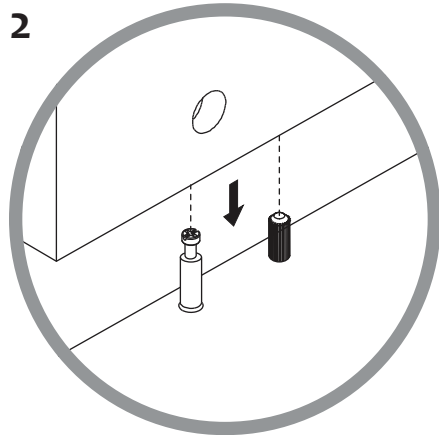
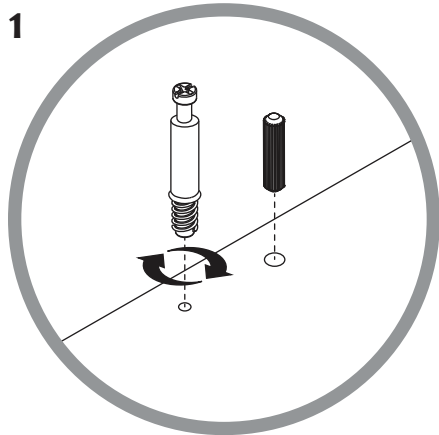


**H10 x 4
WASHER**

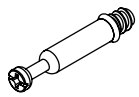
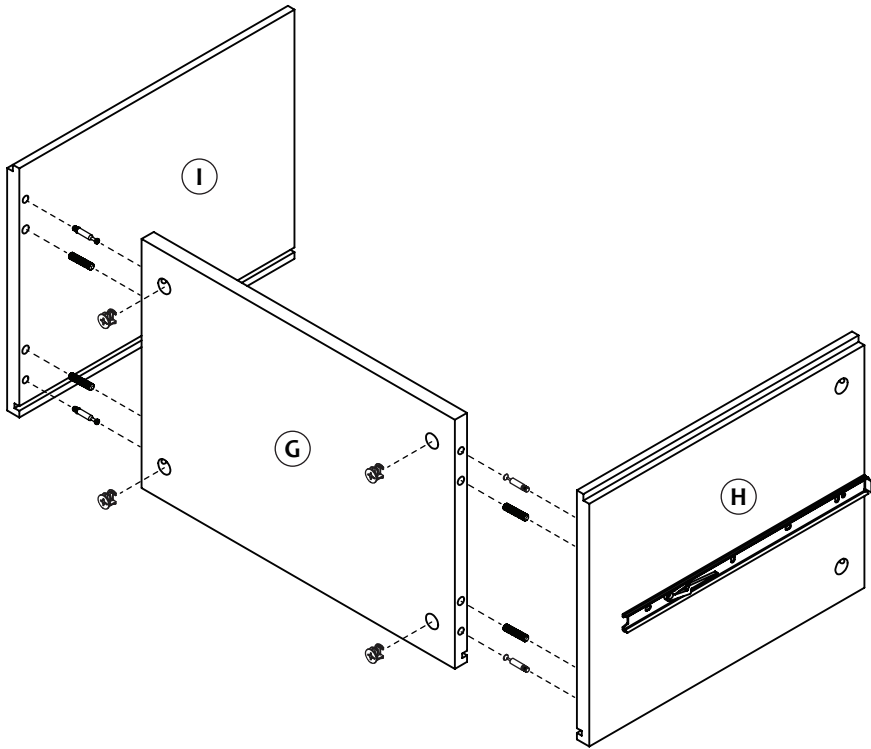


**H11 x 1
ALLEN
WRENCH**

TOOLS REQUIRED: PHILLIPS SCREWDRIVER



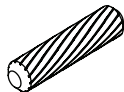
STEP 1



H1 x 4
CAM BOLT

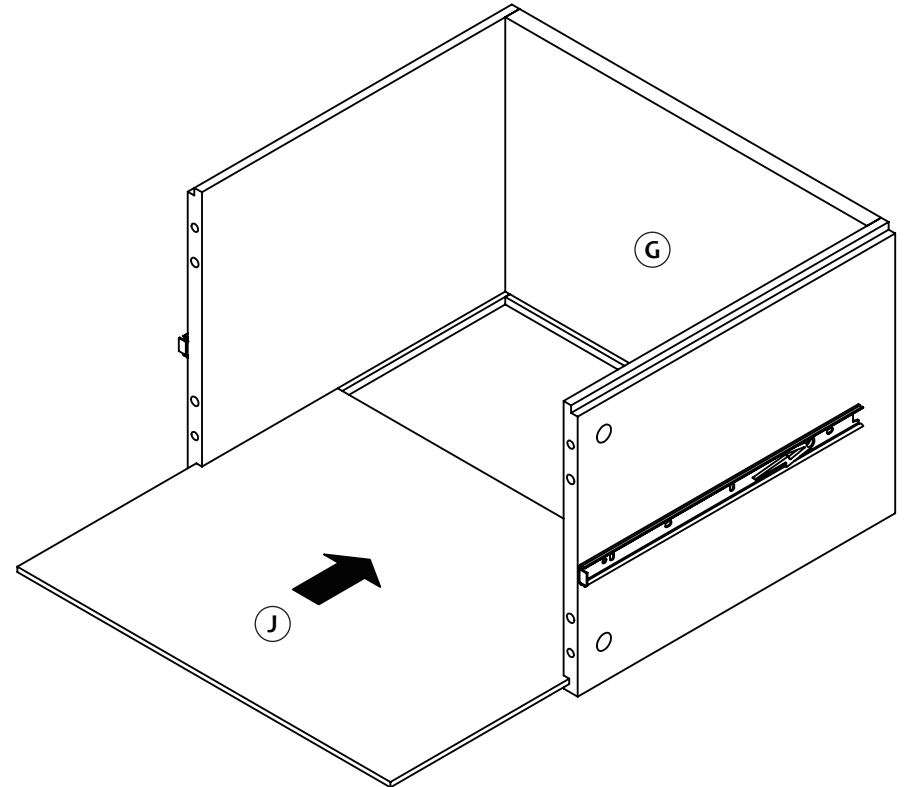


H2 x 4
SMALL CAM

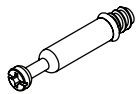
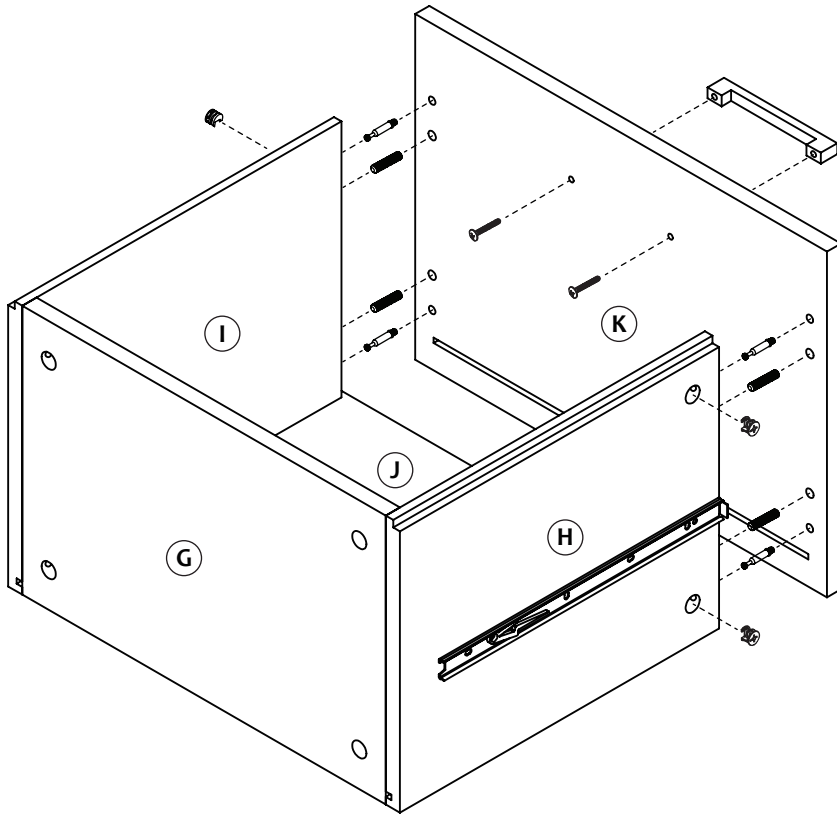


H5 x 4
SMALL DOWEL

STEP 2



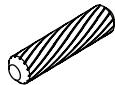
STEP 3



H1 x 4
CAM BOLT



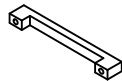
H2 x 4
SMALL CAM



H5 x 4
SMALL DOWEL

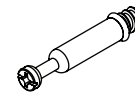
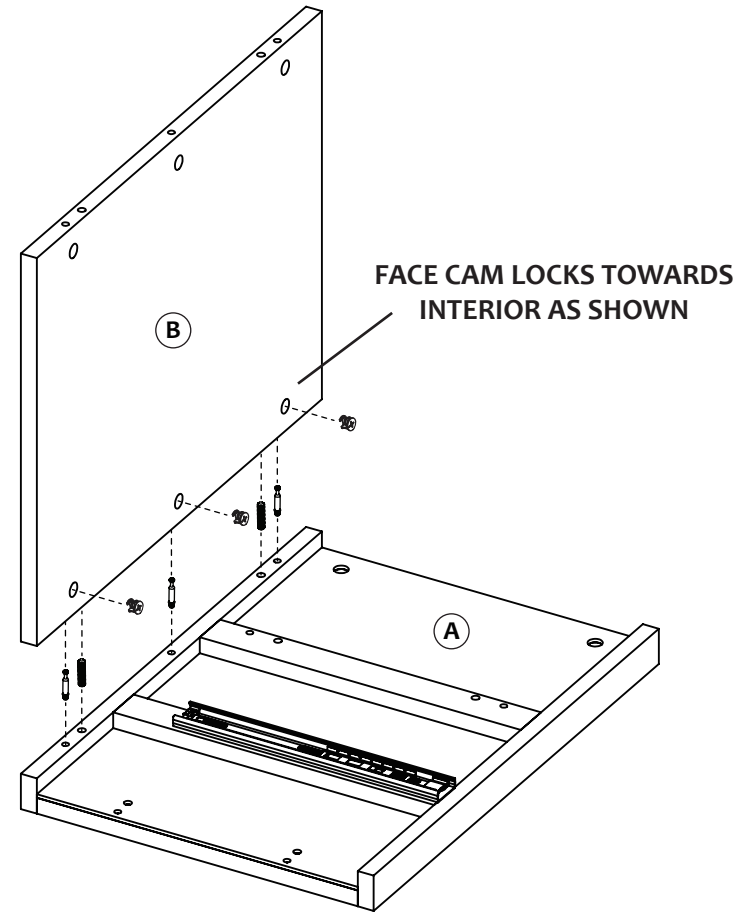


H7 x 2
BOLT



H6 x 1
HANDLE

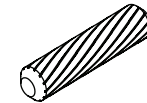
STEP 4



H1 x 3
CAM BOLT

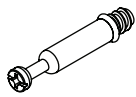
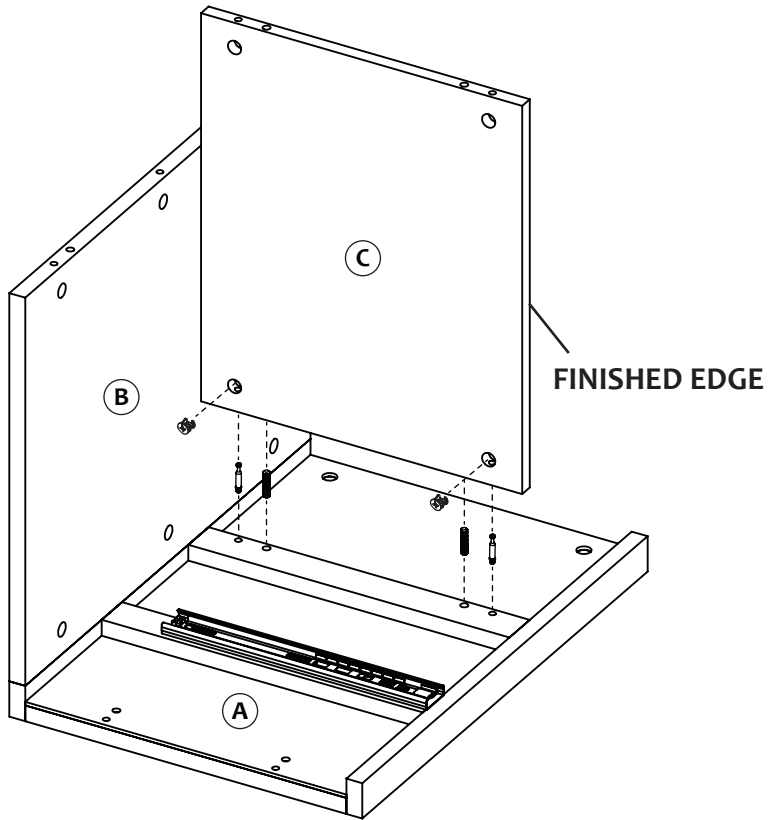


H3 x 3
LARGE CAM



H4 x 2
LARGE DOWEL

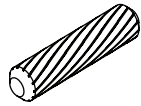
STEP 5



H1 x 2
CAM BOLT

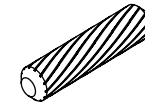
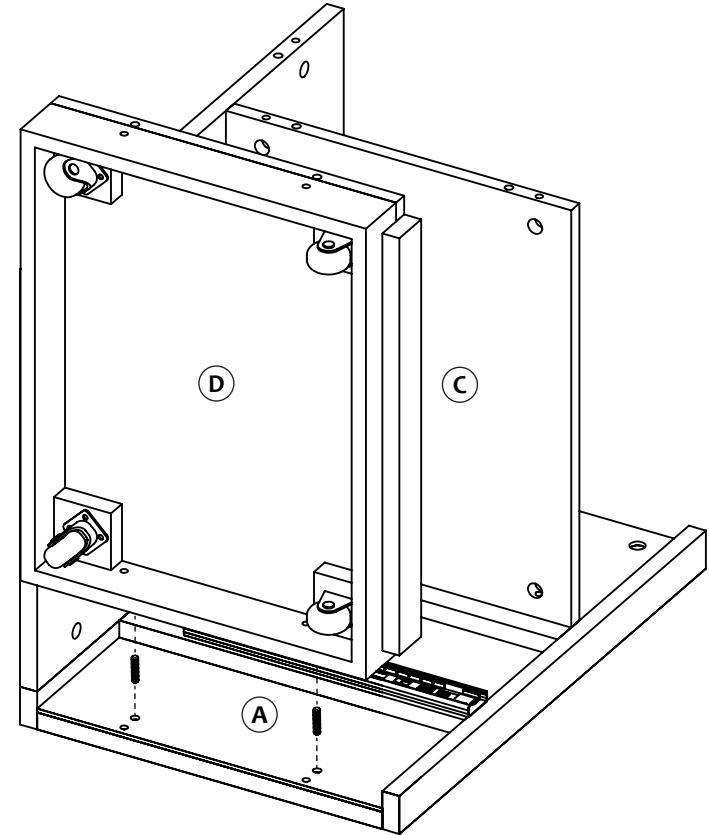


H3 x 2
LARGE CAM



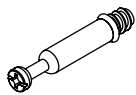
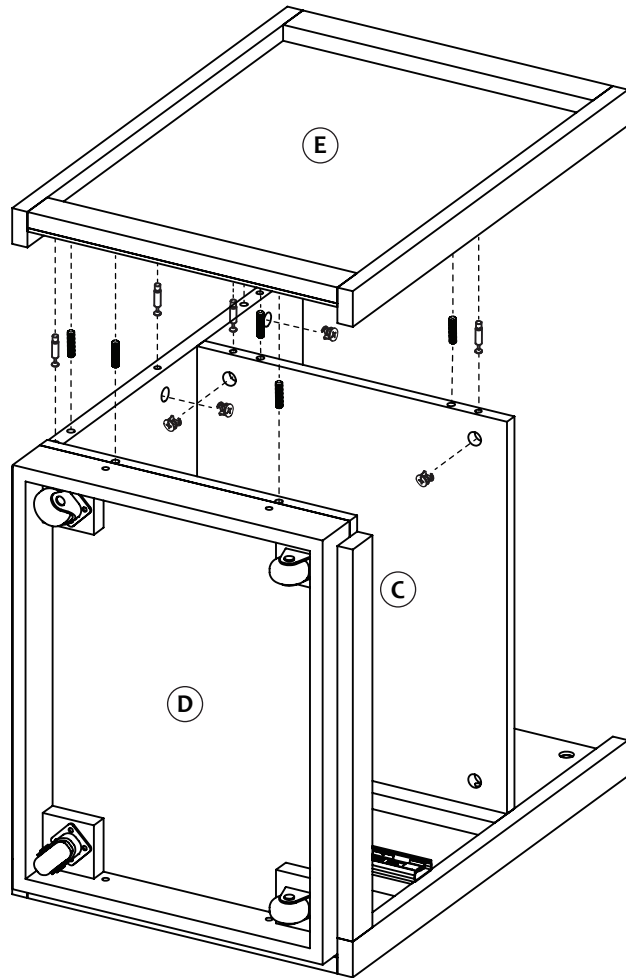
H4 x 2
LARGE DOWEL

STEP 6



H4 x 2
LARGE DOWEL

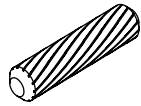
STEP 7



**H1 x 5
CAM BOLT**

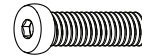
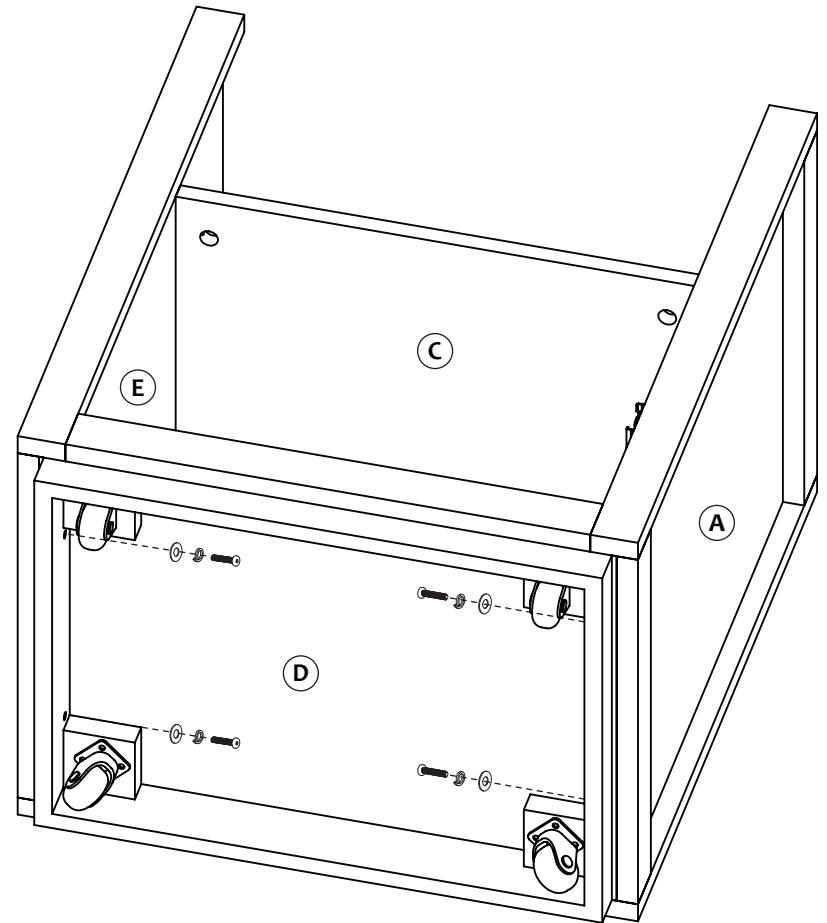


**H3 x 5
LARGE CAM**



**H4 x 6
LARGE DOWEL**

STEP 8



**H8 x 4
BOLT**



**H9 x 4
LOCK
WASHER**

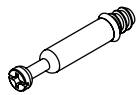
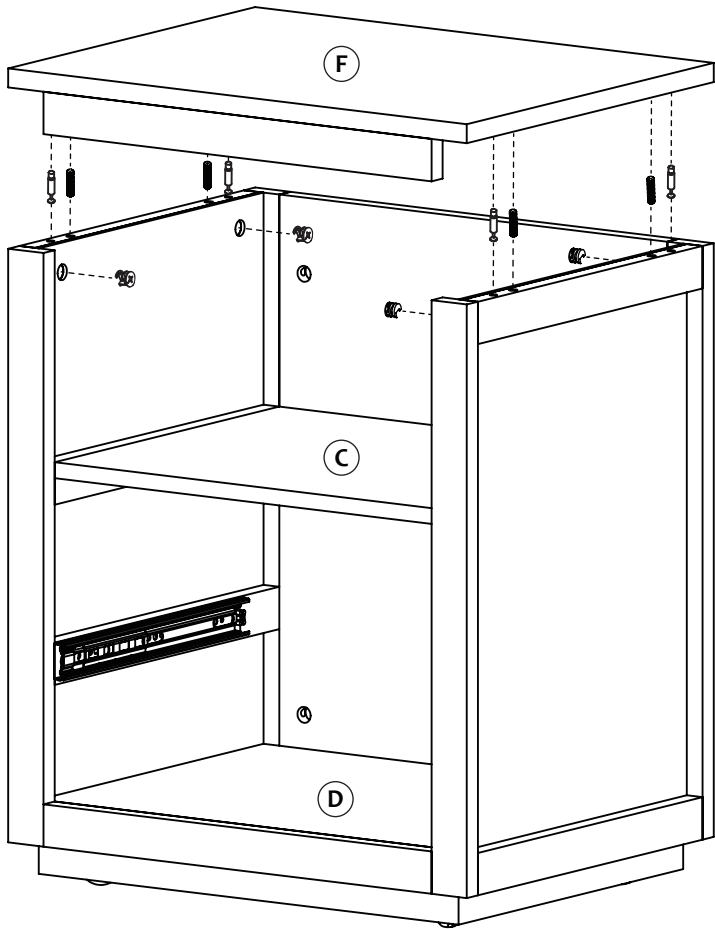


**H10 x 4
WASHER**



**H11 x 1
ALLEN
WRENCH**

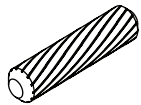
STEP 9



H1 x 4
CAM BOLT

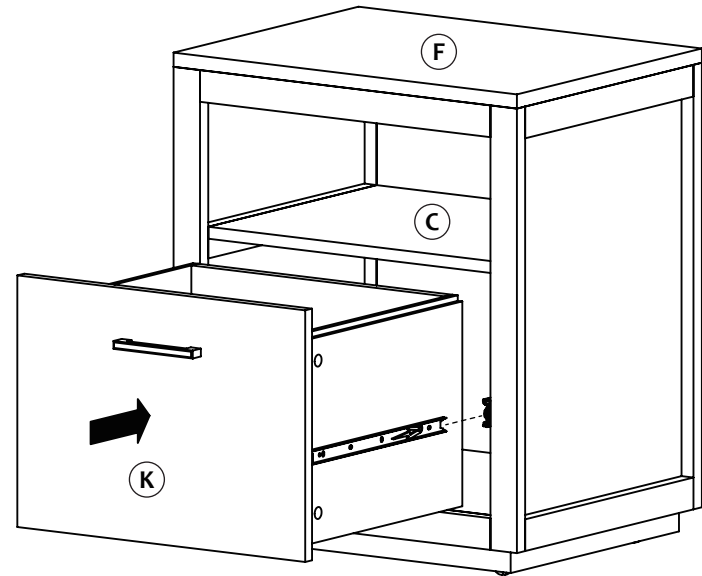


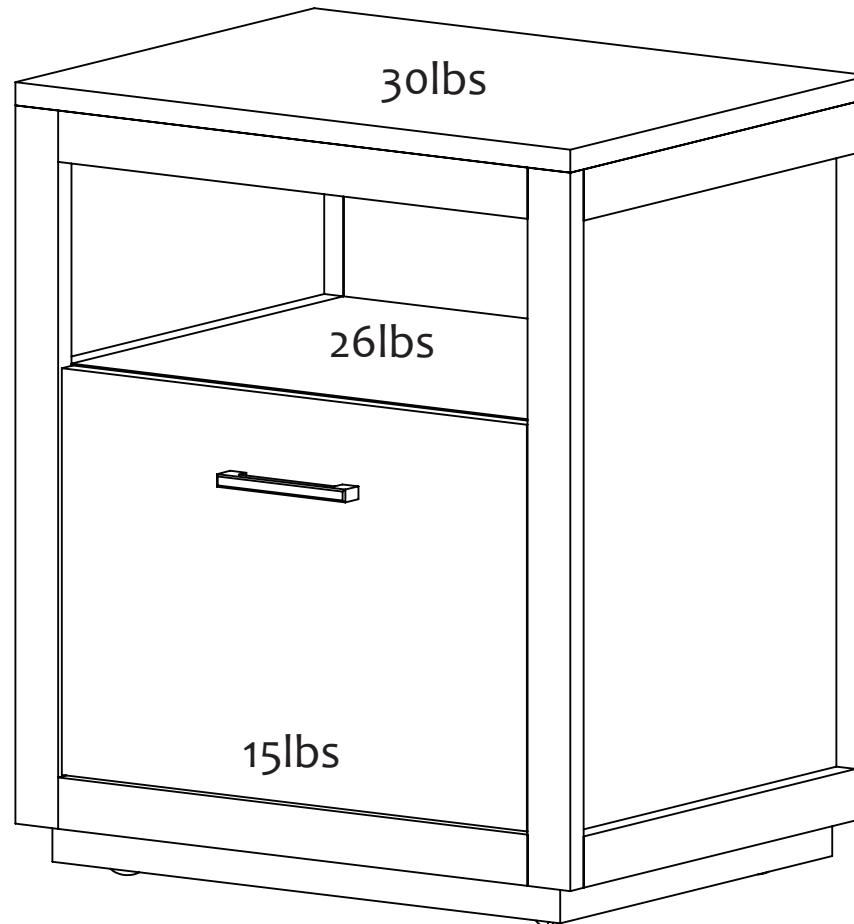
H3 x 4
LARGE CAM



H4 x 4
LARGE DOWEL

STEP 10





WARNING: Do not exceed the recommended weight limits on the designated panels. Exceeding these limits could cause sagging, possibly resulting in failure of product or bodily injury. Severe injury may occur if furniture tips over. Never allow children to climb or play on this product. Place heaviest items on lower shelves and as far back as possible, never overload product.