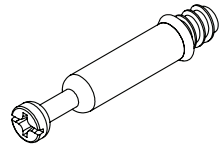
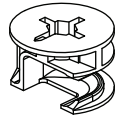


A	Top Panel	1
B	Left Panel	1
C	Right Panel	1
D	Bottom Panel	1
E	Rail	1
F	Back Panel	1
G	Bin Door	1
H	Bin Back Panel	1
I	Bin Left Panel	1
J	Bin Right Panel	1
K	Bin Bottom Panel	1
L	Bin Top Panel	1
M	Cushion	1

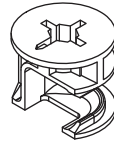
Please review the hardware listed on the next page as well as individual components of this product. As you unpack and prepare for assembly, place the contents on a carpeted or padded area to protect them from damage.



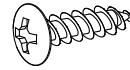
**H1 x 10
CAM BOLT**



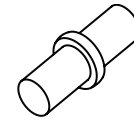
**H2 x 4
THIN
CAM**



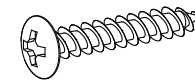
**H3 x 6
THICK
CAM**



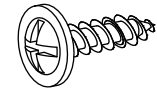
**H4 x 5
SHORT PAN
HEAD SCREW**



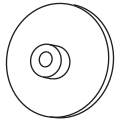
**H5 x 2
PIN**



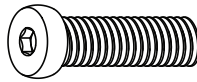
**H6 x 4
LONG PAN
HEAD SCREW**



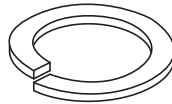
**H7 x 14
TRUSS HEAD
SCREW**



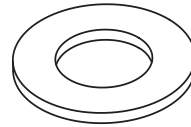
**H8 x 10
CAM COVER**



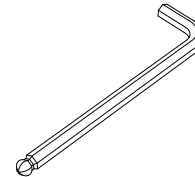
**H9 x 4
BOLT**



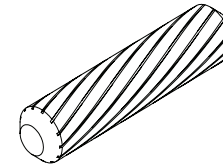
**H10 x 4
LOCK
WASHER**



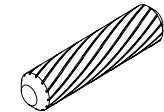
**H11 x 4
WASHER**



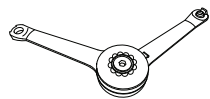
**H12 x 1
ALLEN
WRENCH**



**H13 x 8
DOWEL**



**H14 x 4
SMALL
DOWEL**



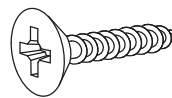
**H15 x 1
HINGE**



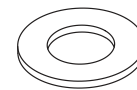
**H16 x 1
RIGHT
CONNECTOR**



**H17 x 1
LEFT
CONNECTOR**

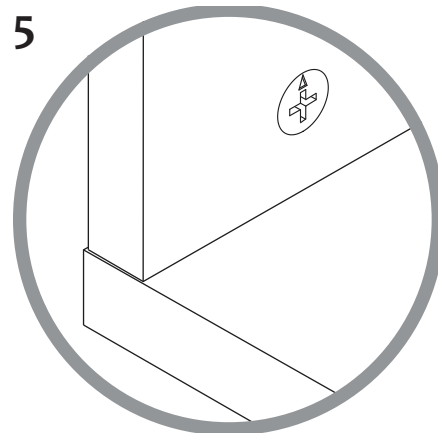
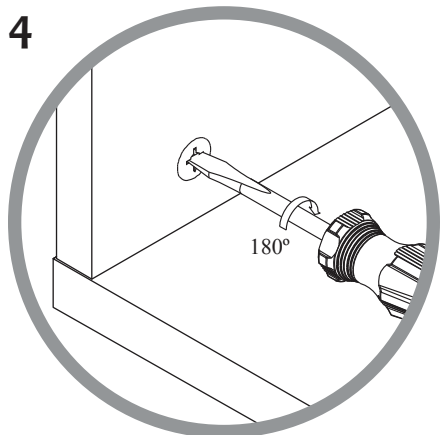
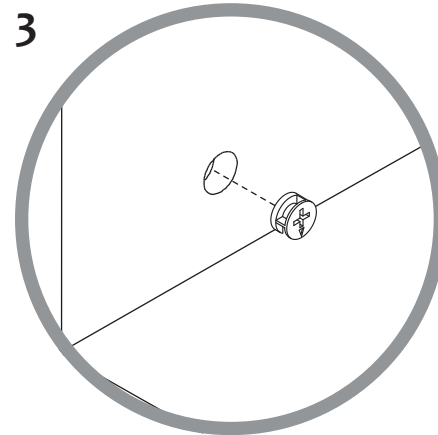
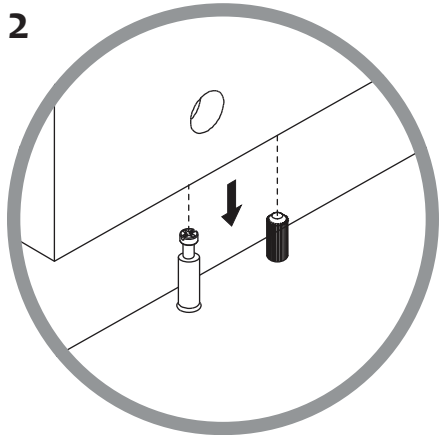
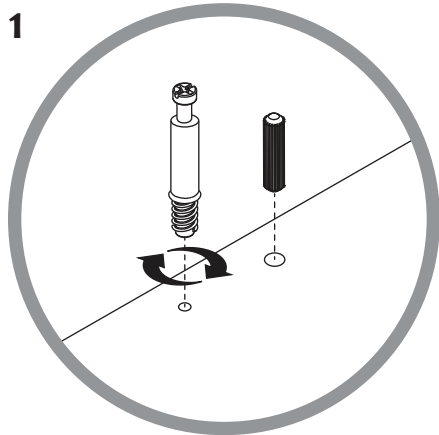


**H18 x 4
SHORT PAN
HEAD SCREW**

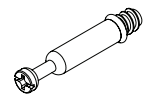
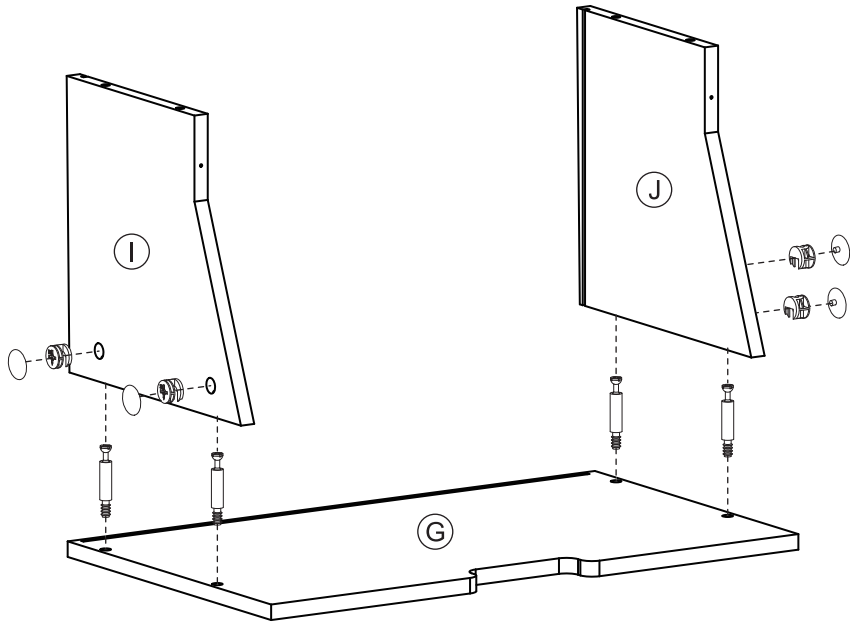


**H19 x 2
SMALL
WASHER**

TOOLS REQUIRED: Phillips Screwdriver | Two People



STEP 1



**H1 x 4
CAM BOLT**

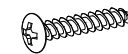
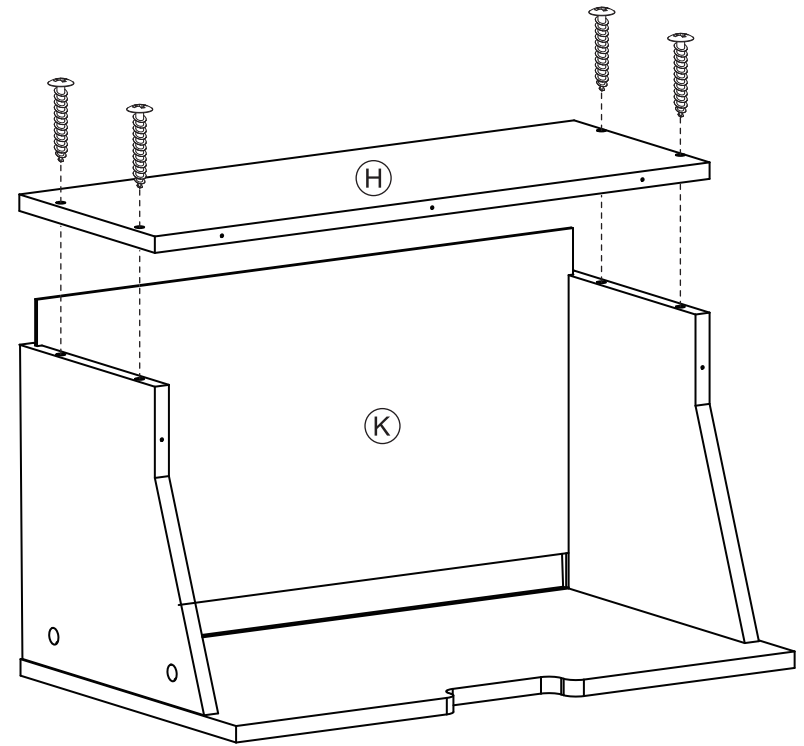


**H2 x 4
THIN CAM**



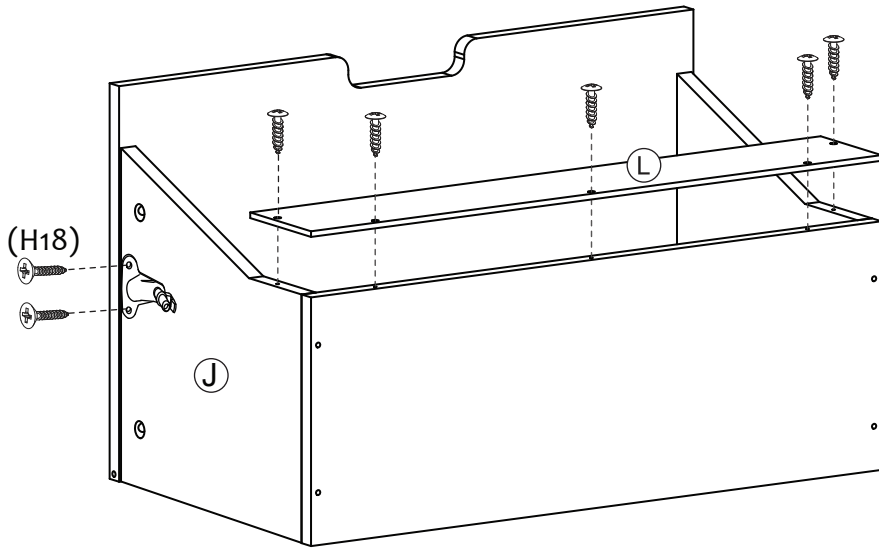
**H8 x 4
CAM
COVER**

STEP 2

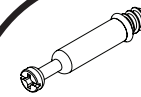
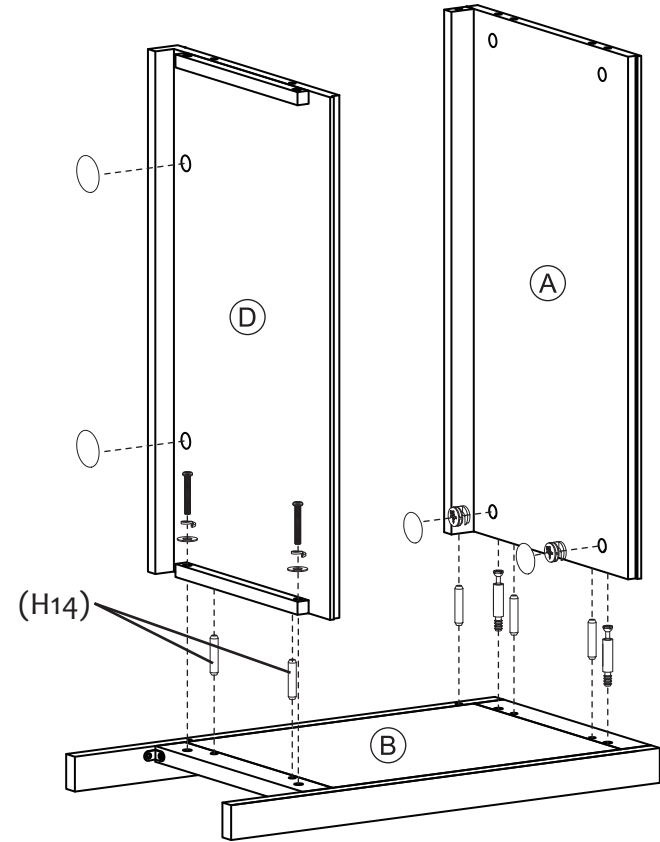


**H6 x 4
LONG PAN
HEAD SCREW**

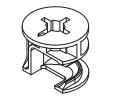
STEP 3



STEP 4



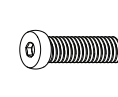
H1 x 2
CAM BOLT



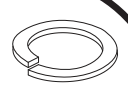
H3 x 2
THICK CAM



H8 x 4
CAM
COVER



H9 x 2
BOLT



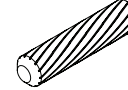
H10 x 2
LOCK
WASHER



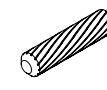
H11 x 2
WASHER



H12 x 1
ALLEN
WRENCH

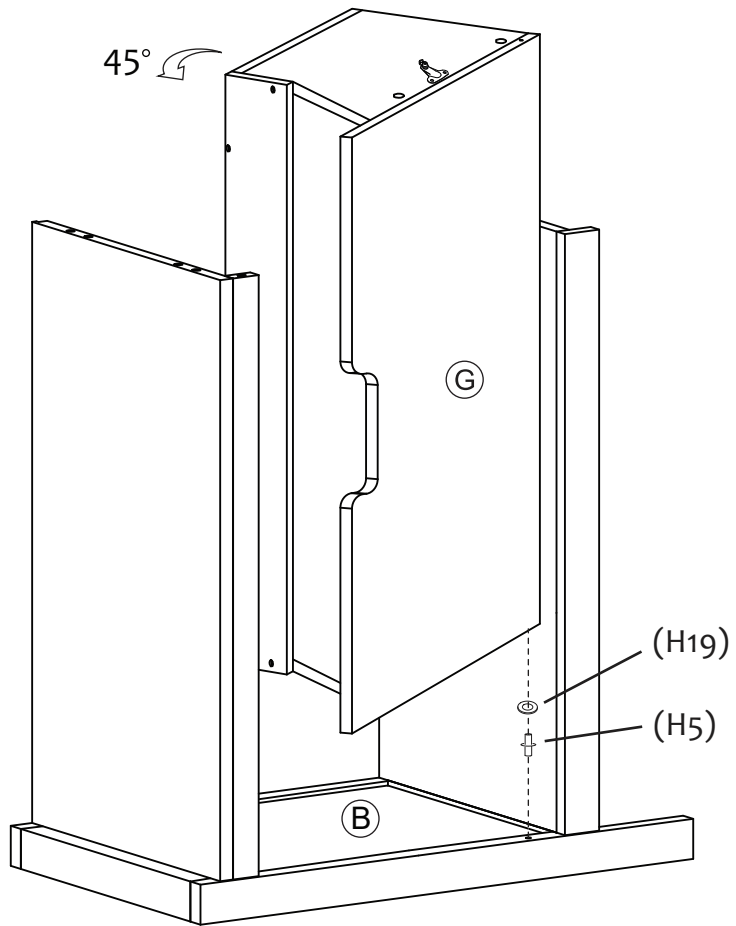


H13 x 3
DOWEL

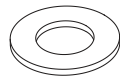


H14 x 2
DOWEL

STEP 5

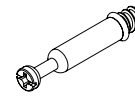
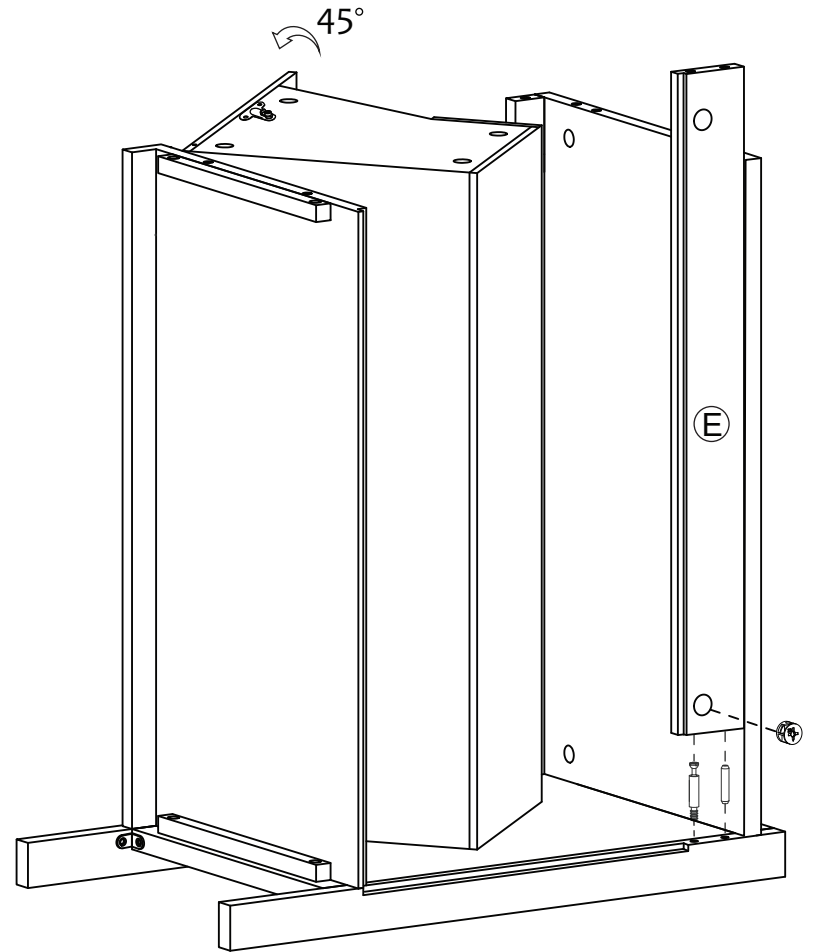


H5 x 1
PIN



H19 x 1
SMALL
WASHER

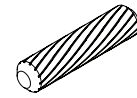
STEP 6



H1 x 1
CAM BOLT

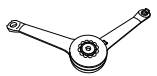
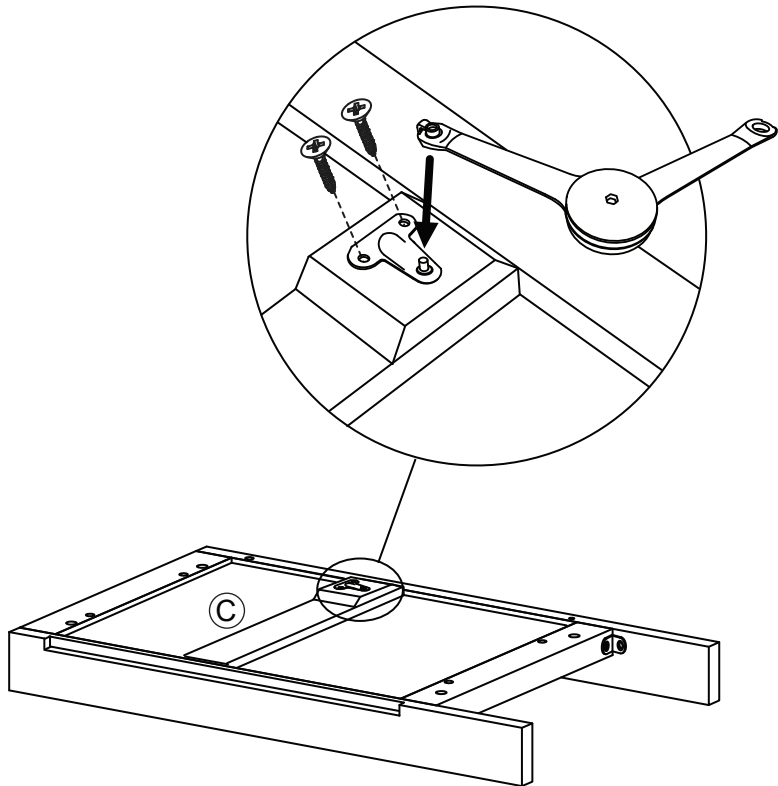


H3 x 1
THICK CAM



H13 x 1
DOWEL

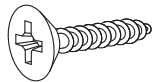
STEP 7



**H15 x 1
HINGE**

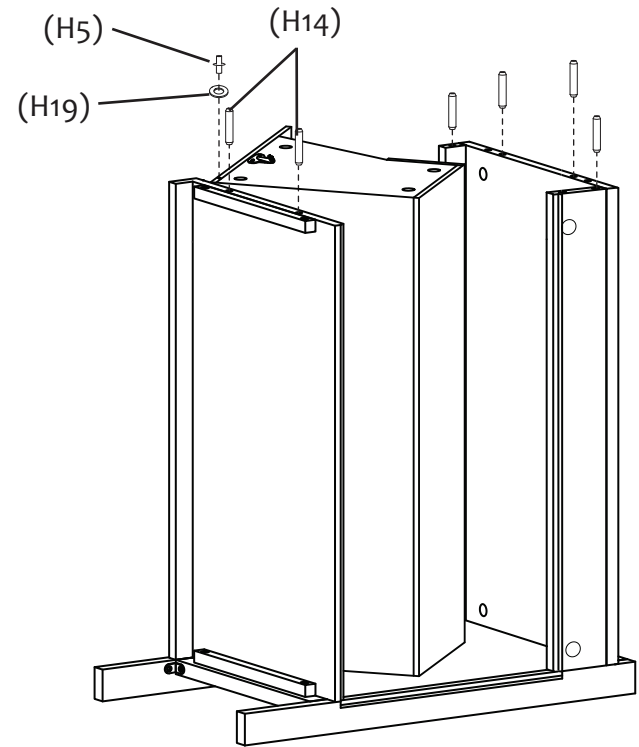


**H16 x 1
RIGHT
CONNECTOR**

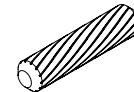


**H18 x 2
SHORT FLAT
HEAD SCREW**

STEP 8



**H5 x 1
PIN**



**H13 x 4
DOWEL**

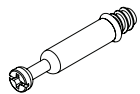
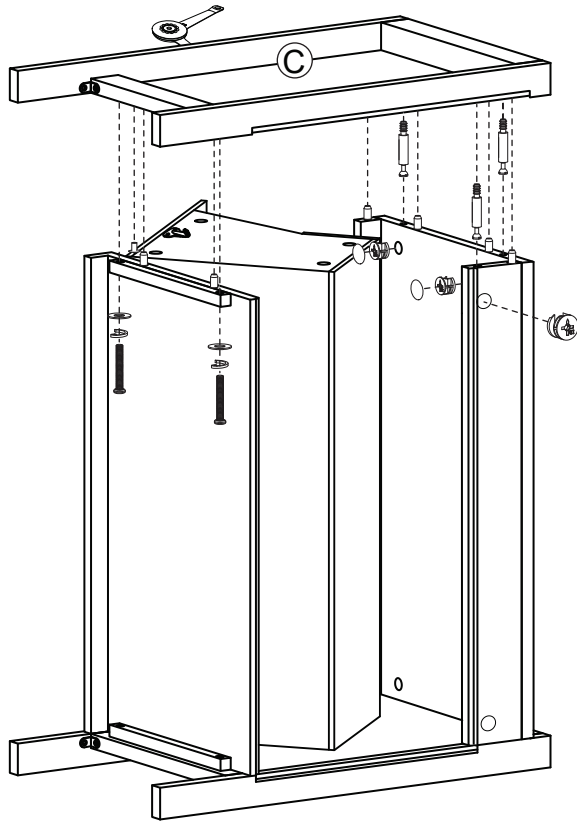


**H14 x 2
DOWEL**



**H19 x 1
WASHER**

STEP 9



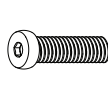
**H1 x 3
CAM BOLT**



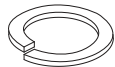
**H3 x 3
THICK CAM**



**H8 x 2
CAM
COVER**



**H9 x 2
BOLT**



**H10 x 2
LOCK
WASHER**

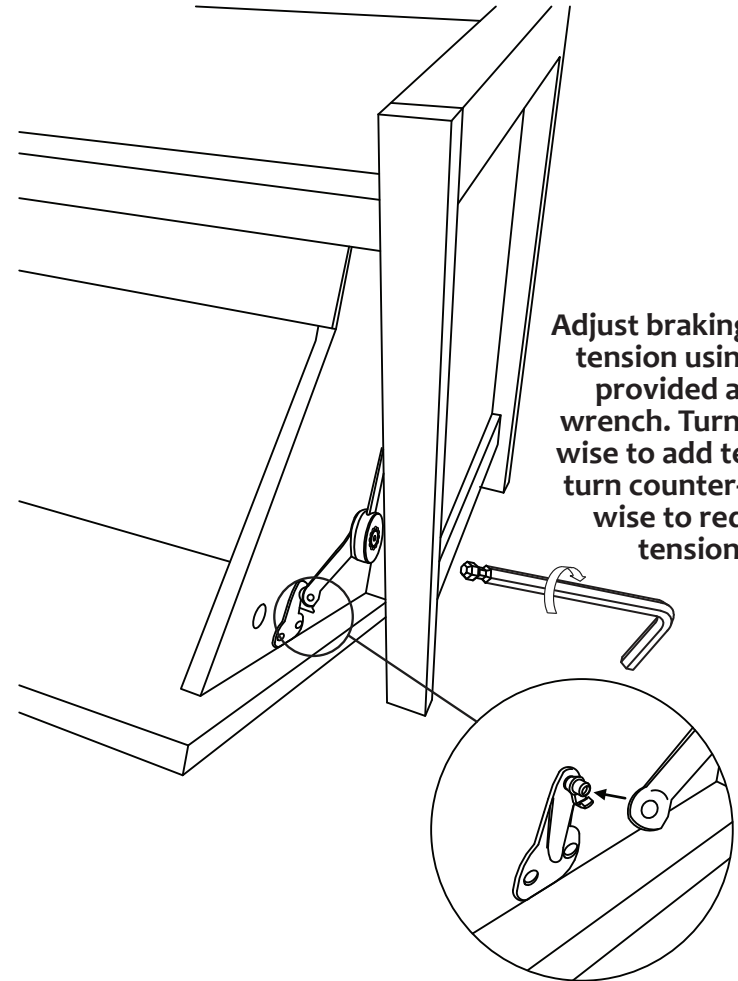


**H11 x 2
WASHER**



**H12 x 1
ALLEN
WRENCH**

STEP 10

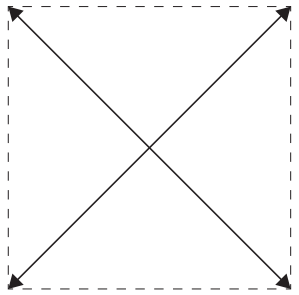


**Adjust braking hinge
tension using the
provided allen
wrench. Turn clock-
wise to add tension,
turn counter-clock-
wise to reduce
tension.**

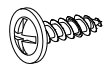
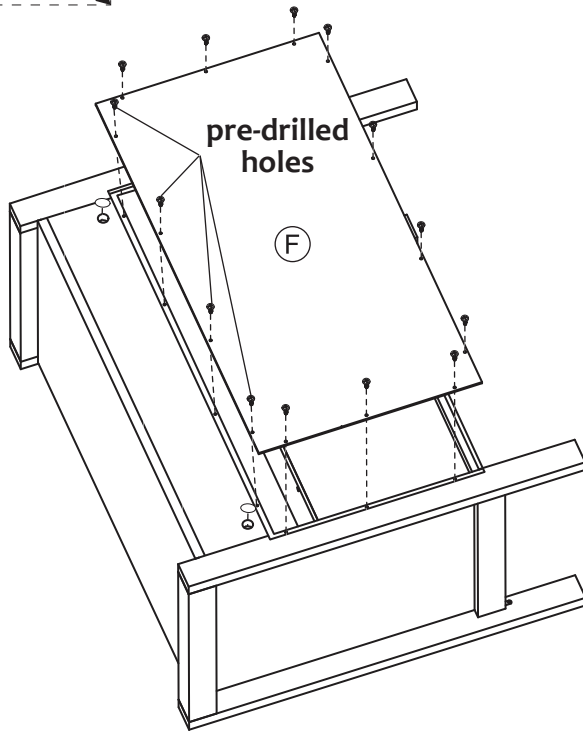


**H12 x 1
ALLEN
WRENCH**

STEP 11



Begin by installing all of the screws along one edge of the back panel. Next, using a square or tape measure, make sure that the cabinet is square. (If using a tape measure, the distance from one corner, diagonally to the other corner should be the same in both directions.) Install the remaining screws, starting with the corners.

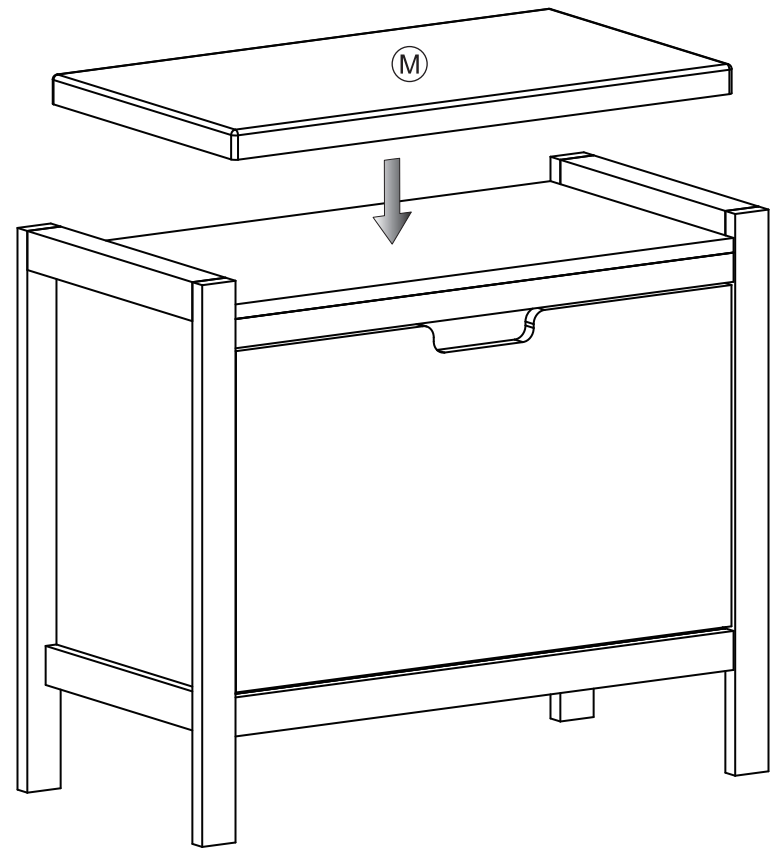


**H7 x 14
TRUSS HEAD
SCREW**



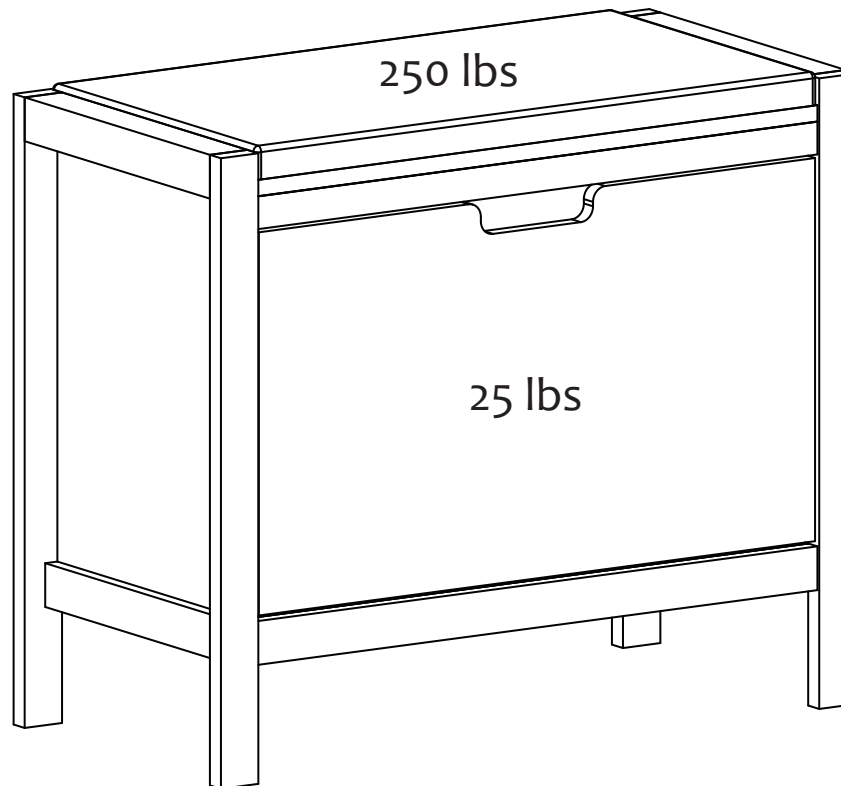
**H8 x 2
CAM COVER**

STEP 12



WARNING

This product is not intended or suitable for a toy chest.



WARNING: Do not exceed the recommended weight limits on the designated panels. Exceeding these limits could cause sagging, possibly resulting in failure of product or bodily injury. Severe injury may occur if furniture tips over. Never allow children to climb or play on this product. Place heaviest items on lower shelves and as far back as possible, never overload product.