



# STEEL LARGE GEARBOX CABINET

Assembly Instructions

# AMARIO GRANDE DE ACERO PARA HERRAMIENTAS

Instrucciones de ensamblaje

# GRANDE ARMOIRE À OUTILS EN ACIER

Instructions d'assemblage

## TABLE OF CONTENTS/ÍNDICE/TABLE DES MATIÈRES

CABINET/LOCKER SAFETY .....	2	SEGURIDAD DEL ARMARIO .....	7	SÉCURITÉ DE L'ARMOIRE.....	12
PARTS .....	2	PIEZAS .....	7	PIÈCES .....	12
ASSEMBLY INSTRUCTIONS.....	3	INSTRUCCIONES DE ENSAMBLAJE .....	8	INSTRUCTIONS D'ASSEMBLAGE .....	13
ACCESSORIES .....	5	ACCESORIOS.....	10	ACCESSOIRES.....	15
WARRANTY .....	6	GARANTÍA .....	11	GARANTIE .....	16

IT'S TIME TO RETHINK THE GARAGE.®  
ES TIEMPO DE VOLVER A PENSAR EN EL GARAGE.™  
LE GARAGE REPENSÉ.™

2254087D

In U.S.A. call: 1-866-342-4089  
En EE.UU. llame al: 1-866-342-4089  
Aux É.-U. téléphoner au 1-866-342-4089

In Canada call: 1-800-807-6777  
En Canadá llame al: 1-800-807-6777  
Au Canada téléphoner au 1-800-807-6777

www.GladiatorGW.com  
www.gladiatorgarageworks.ca

# CABINET/LOCKER SAFETY

## Your safety and the safety of others are very important.

We have provided many important safety messages in this manual and on your appliance. Always read and obey all safety messages.



This is the safety alert symbol.

This symbol alerts you to potential hazards that can kill or hurt you and others.

All safety messages will follow the safety alert symbol and either the word "DANGER" or "WARNING."

These words mean:

**⚠ DANGER**

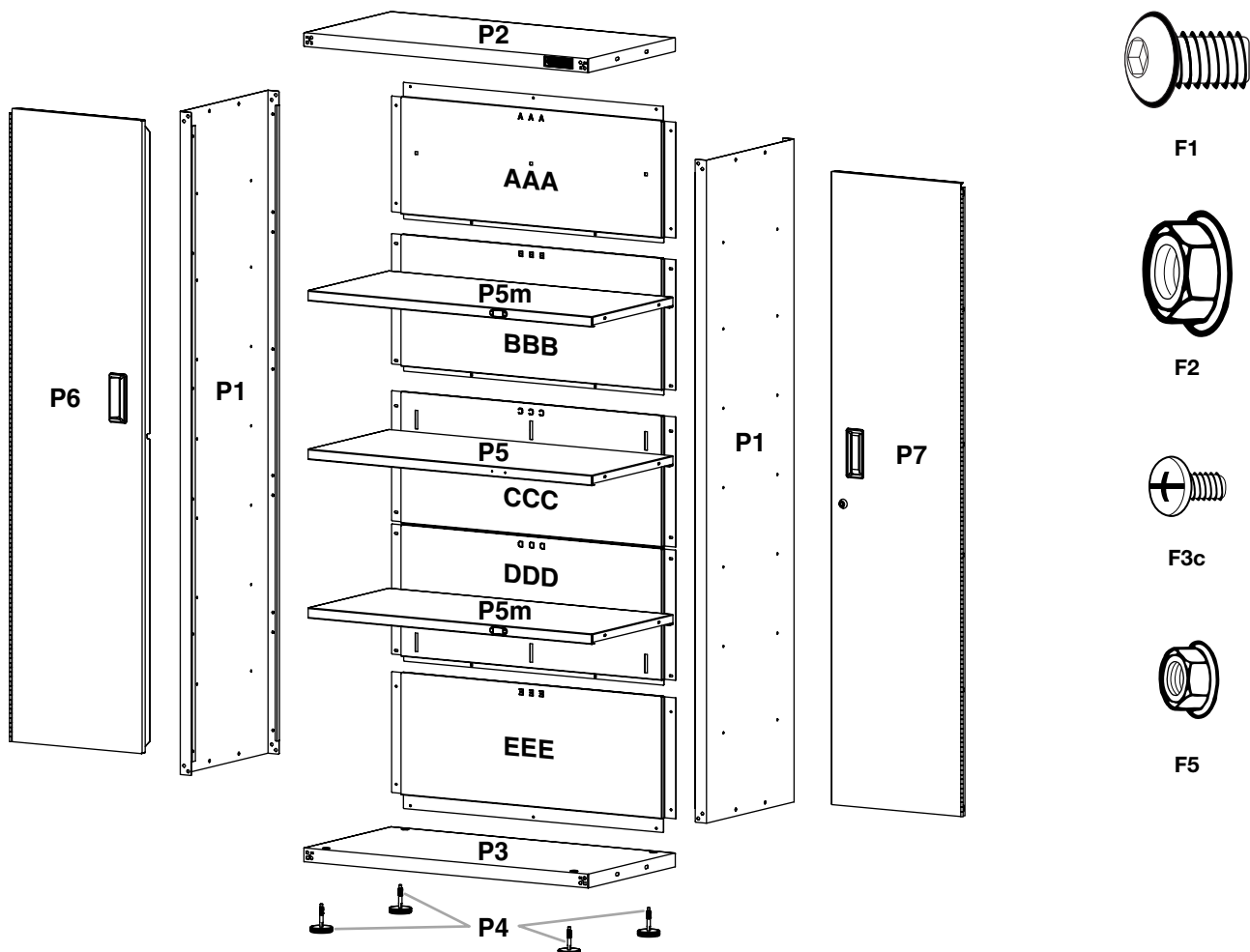
You can be killed or seriously injured if you don't immediately follow instructions.

**⚠ WARNING**

You can be killed or seriously injured if you don't follow instructions.

All safety messages will tell you what the potential hazard is, tell you how to reduce the chance of injury, and tell you what can happen if the instructions are not followed.

## PARTS



# ASSEMBLY INSTRUCTIONS

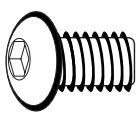
## Cabinet Use Requirements

- Intended for use in a garage.
- Maximum weight limit is 45 lbs (20.5 kg) for each shelf.
- Maximum weight limit is 225 lbs (102.3 kg) for the cabinet.

## Unpack Cabinet Parts

1. Remove and verify the contents. Contents include a hex key, a key, and the parts and fasteners shown in "Parts."
2. Dispose of/recycle all packaging materials.

## Assemble Cabinet



F1

F1  $\frac{5}{16}$ " Hex-head bolt (24)



F2

F2  $\frac{5}{16}$ " Flange nut (8)

Gather the required tools before starting installation.

### Tools Needed:

- $\frac{1}{2}$ " Wrench
- $\frac{3}{8}$ " Wrench
- Phillips screwdriver
- Level

### Tools Supplied:

- Hex key
- Key

## ⚠ WARNING

### Excessive Weight Hazard

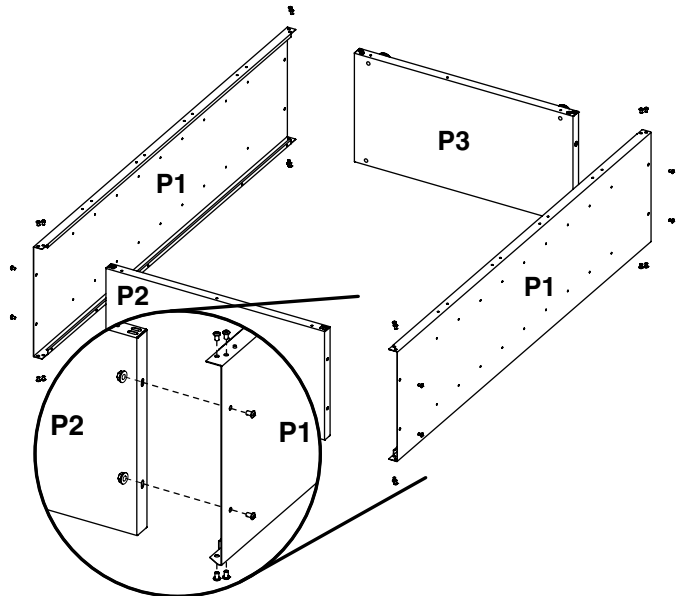
Use two or more people to move, assemble or install cabinet.

Failure to do so can result in back or other injury.

### IMPORTANT:

- Two people may be required to complete the assembly.
  - As you assemble the cabinet, make sure the edges with the holes are facing up.
  - If you are assembling the cabinet on the floor, fasten the eight front corner bolts, two at each corner, after you stand the cabinet upright.
1. Place side panel (P1) on a flat, firm surface so that the edge with the holes is facing up as shown.
  2. Insert the cabinet top (P2) between the edges of side panel (P1).  
**NOTE:** Make sure the edges with the holes are facing up.
  3. Align the holes and attach the top (P2) to side panel (P1) using six Hex-head bolts (F1) and two  $\frac{5}{16}$ " flange nuts (F2) as shown. Do not tighten completely.
  4. Position the other side panel (P1) so that the top (P2) is between the edges of side panel (P1).
  5. Align the holes and attach the top (P2) to the side (P1) using six Hex-head bolts (F1) and two  $\frac{5}{16}$ " flange nuts (F2) as shown. Do not tighten completely.
  6. Insert the cabinet bottom (P3) between the edges of the side panels (P1).  
**NOTE:** Make sure the edges with the holes are facing up.

7. Align the holes and attach the bottom (P3) to the sides (P1) using six Hex-head bolts (F1) and two  $\frac{5}{16}$ " flange nuts (F2) for each side as shown. Do not tighten completely.



## Attach Back Panels



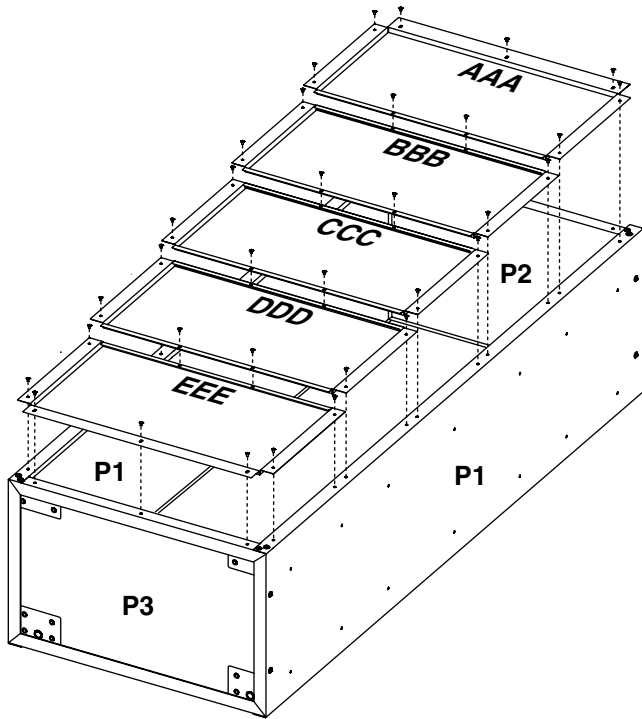
F3c

Phillips-head screw (34)

### IMPORTANT:

- Attach the back panels starting at the top of the cabinet with back panel (AAA) and working down to the cabinet bottom. Each back panel will overlap the panel below.
  - Do not completely tighten the screws until all back panels are in place.
1. Align back panel (AAA) with the holes in the cabinet top. Using seven Phillips-head screws (F3c), attach back panel (AAA) to the cabinet top and sides.
  2. Slide the top of back panel (BBB) under the bottom of back panel (AAA). Using four Phillips-head screws, fasten back panel (BBB) to the cabinet sides.
  3. Repeat Step 2 for the remaining back panels ending with back panel (EEE).
  4. Using two Phillips-head screws, attach each back panel to the panel below.  
**NOTE:** Using three Phillips-head screws, attach panel (EEE) to the cabinet bottom (P3).
  5. Completely tighten all back panel screws starting with the sides and continuing with the top, middle and bottom.

- Using the hex key (provided), completely tighten all 24 cabinet bolts and nuts.



## Install Shelves



F3c

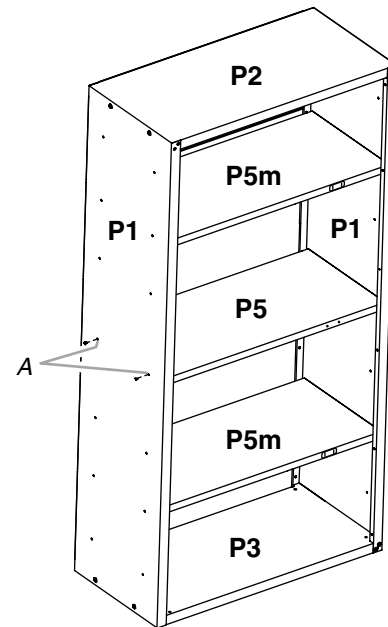


F5

F3c Phillips-head screw (12)  
F5 Small flange nut (12)

**IMPORTANT:** Use the pair of holes located in the middle of the cabinet sides to install a center shelf without the magnet (P5), so the doors will lock. The other two shelves with magnet (P5m) may be installed where desired.

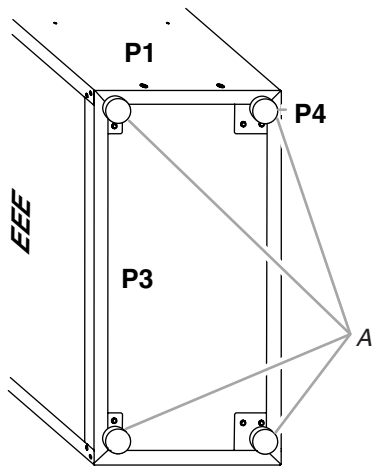
- Place the shelf (P5) without the magnet in the cabinet so that the long edge with the two holes is facing out.
- Align the holes in the shelf ends with the pair of holes in the middle of the cabinet sides (P1).
- Using two screws and nuts per side, fasten the shelf (P5) to the sides (P1).



A. Middle pair of holes in cabinet side

## Install Leveling Legs

- Place the cabinet on its side.
- Screw a leveling leg (P4) into each of the four rivet nuts located at the corners of the cabinet as shown.



A. Leveling legs

- Stand the cabinet upright.
- If you have not already, fasten the two bolts at each front corner, of the cabinet frame. Completely tighten all the cabinet bolts and nuts.

- Determine where you want to place the other two shelves with magnet (P5m). Align the holes in the shelf ends with the holes in the cabinet side.

**NOTE:** Make sure the magnets in the long edges of the shelves are facing the cabinet front.

- Using two screws and nuts per side, fasten the shelves with magnet (P5m) to the cabinet sides (P1). Completely tighten the nuts.

---

## Install Doors

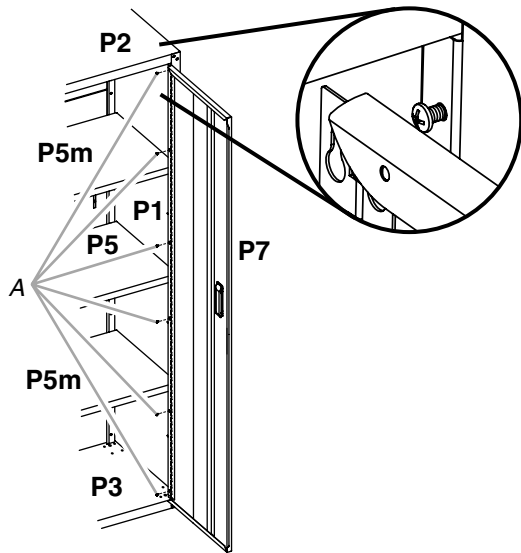


**F3c**

Phillips-head screw (12)

### IMPORTANT:

- The door with the lock assembly (P7) should be installed on the right-hand side of the cabinet.
  - The door hinges are designed with keyhole slots at the top and bottom so the door will hang on the cabinet while you are fastening the screws.
1. Start Phillips-head screws (F3c) in both the top and bottom holes on each side of the cabinet.
  2. Hang the right-hand side door (P7) from the top and bottom screws, and hand tighten.
  3. Insert the middle four screws through the door hinge into the cabinet and hand tighten.



A. Phillips-head screws

4. Repeat steps 2 and 3 to attach the left-hand door (P6).
5. Align the doors and completely tighten the screws.

---

## Complete Assembly

1. Make sure there is a bolt or screw in each hole of the cabinet frame.
2. Move the cabinet to its final location.
3. Place a level on an inside shelf, and if necessary, level the cabinet by adjusting the height of the leveling legs. Turn to the left to raise or to the right to lower the leveling leg.
4. If the doors are not aligned, loosen all the screws attaching the door hinge to the cabinet.
5. Adjust door to the desired height, and fully tighten the screws.

---

## ACCESSORIES

To order accessories, call **1-866-342-4089** and ask for the accessory part number listed below or contact your authorized Gladiator® GarageWorks dealer. In Canada, call **1-800-807-6777**.

**Mounting Bracket Kit** - Allows the cabinet to be mounted on Gladiator® Garageworks GearWall® panels or GearTrack® channels.  
Order Part # GABK362PSS

---

# GLADIATOR® GARAGEWORKS STEEL LARGE GEARBOX AND EXTRA LARGE GEARBOX CABINET WARRANTY

---

## TEN YEAR LIMITED WARRANTY - (GEARBOX ONLY - LABOR NOT INCLUDED)

For ten years from the original date of purchase, when the Steel Large GearBox or Extra Large GearBox Cabinet is installed, used and maintained according to the instructions attached to or furnished with the product, Gladiator® GarageWorks will, at its sole option, provide factory specified replacement parts to correct defects in materials or workmanship that existed when the product was purchased or replace the product (excludes shipping or freight fees). If replaced, your product will be covered by the remaining ten-year limited warranty of the original unit.

YOUR SOLE AND EXCLUSIVE REMEDY UNDER THE LIMITED WARRANTY SHALL BE PRODUCT REPAIR OR REPLACEMENT AT OUR DISCRETION AS PROVIDED HEREIN. This limited warranty is valid in the United States and Canada and applies only when the product is used in the country in which it was purchased. This limited warranty is effective from the date of the original consumer purchase. Proof of original purchase date is required to obtain service or replacement under this limited warranty.

---

## ITEMS EXCLUDED FROM WARRANTY

### This limited warranty does not cover:

1. In-home service including, but not limited to, service calls to correct the installation of any Gladiator® GarageWorks products or to instruct you on how to use or install them.
2. Damage resulting from improper handling or shipping of products, or products damaged by accident, alteration, misuse, abuse, fire, flood, improper installation, acts of God, neglect, corrosion, modification or mishandling.
3. All travel, transportation, shipping or freight fees to deliver replacement products or to return defective products.
4. Factory specified replacement parts or product replacement when your product is used in other than normal, single-family household use, such as a commercial environment or handled in a manner contrary to published user or operator instructions and/or installation instructions.
5. Cosmetic damage including scratches, dings, dents or cracks that do not affect the structural or functional capability of the product.
6. Any labor costs during the limited warranty period.
7. Damage resulting from improper loading beyond the specified maximum weight capacity outlined in the assembly instructions provided with the product, including overloading of hooks, baskets, shelves, cabinets, and other Gladiator® GarageWorks accessories used with the product.
8. Surfaces damaged due to chemical interaction resulting in corrosion of paint or metal.
9. Replacement keys or locking mechanism.

**The cost of repair or replacement under these excluded circumstances shall be borne by the customer.**

---

## DISCLAIMER OF IMPLIED WARRANTIES

IMPLIED WARRANTIES, INCLUDING ANY IMPLIED WARRANTY OF MERCHANTABILITY OR IMPLIED WARRANTY OF FITNESS FOR A PARTICULAR PURPOSE, ARE LIMITED TO ONE YEAR OR THE SHORTEST PERIOD ALLOWED BY LAW. Some states and provinces do not allow limitations on the duration of implied warranties of merchantability or fitness, so this limitation may not apply to you. This warranty gives you specific legal rights, and you also may have other rights that vary from state to state or province to province.

---

## LIMITATION OF REMEDIES; EXCLUSION OF INCIDENTAL AND CONSEQUENTIAL DAMAGES

YOUR SOLE AND EXCLUSIVE REMEDY UNDER THIS LIMITED WARRANTY SHALL BE PRODUCT REPAIR AS PROVIDED HEREIN. GLADIATOR® GARAGEWORKS SHALL NOT BE LIABLE FOR INCIDENTAL OR CONSEQUENTIAL DAMAGES. Some states and provinces do not allow the exclusion or limitation of incidental or consequential damages, so these limitations and exclusions may not apply to you. This warranty gives you specific legal rights, and you also may have other rights that vary from state to state or province to province.

---

Outside the 50 United States and Canada, this warranty does not apply. Contact your authorized Gladiator® GarageWorks dealer to determine if another warranty applies.

If you need service, call the Gladiator® GarageWorks Customer eXperience Center, **1-866-342-4089** (toll-free), from anywhere in the U.S.A. In Canada, contact your Whirlpool Canada LP designated service company or call **1-800-807-6777**.

In the United States, Gladiator® GarageWorks means Whirlpool Corporation, Benton Harbor, Michigan 49022. In Canada, Gladiator® GarageWorks means Whirlpool Canada LP, Mississauga, ON L5N 3A7.

9/11

**Keep this book and your sales slip together for future reference. You must provide proof of purchase or installation date for in-warranty service.**

Write down the following information about your Steel Large GearBox and Extra Large GearBox Cabinet to better help you obtain assistance or service if you ever need it. You will need to know your complete model number and serial number. You can find this information on the model and serial label located on the back of the product.

Dealer name \_\_\_\_\_  
Address \_\_\_\_\_  
Phone number \_\_\_\_\_  
Model number \_\_\_\_\_  
Serial number \_\_\_\_\_  
Purchase date \_\_\_\_\_

# SEGURIDAD DEL ARMARIO

## Su seguridad y la seguridad de los demás es muy importante.

Hemos incluido muchos mensajes importantes de seguridad en este manual y en su electrodoméstico. Lea y obedezca siempre todos los mensajes de seguridad.



Este es el símbolo de advertencia de seguridad.

Este símbolo le llama la atención sobre peligros potenciales que pueden ocasionar la muerte o una lesión a usted y a los demás.

Todos los mensajes de seguridad irán a continuación del símbolo de advertencia de seguridad y de la palabra "PELIGRO" o "ADVERTENCIA". Estas palabras significan:

 **PELIGRO**

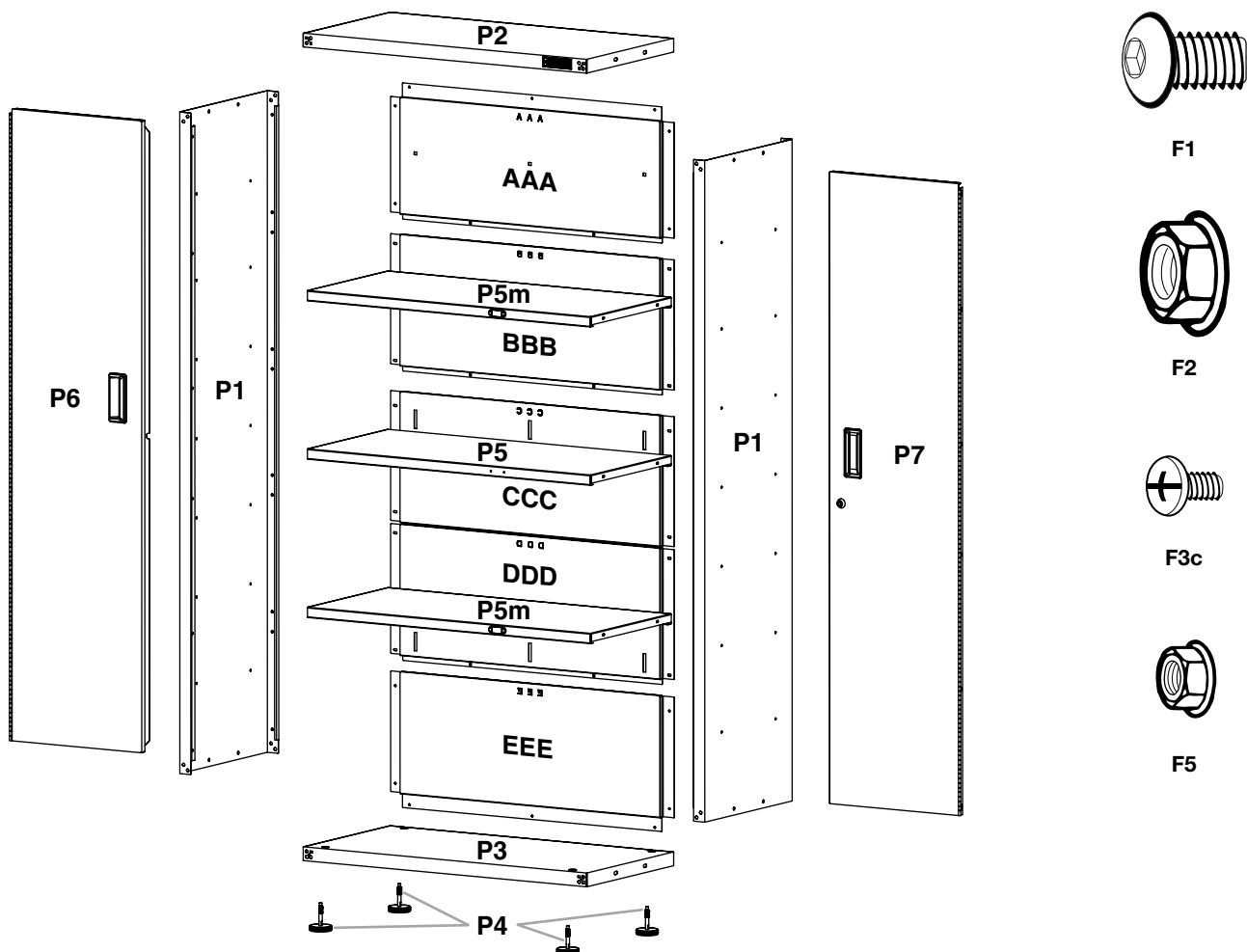
Si no sigue las instrucciones de inmediato, usted puede morir o sufrir una lesión grave.

 **ADVERTENCIA**

Si no sigue las instrucciones, usted puede morir o sufrir una lesión grave.

Todos los mensajes de seguridad le dirán el peligro potencial, le dirán cómo reducir las posibilidades de sufrir una lesión y lo que puede suceder si no se siguen las instrucciones.

## PIEZAS



# INSTRUCCIONES DE ENSAMBLAJE

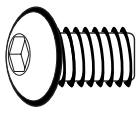
## Requisitos de uso del armario

- Diseñado para usarse en un garage.
- El límite de peso máximo es de 45 lbs (20,5 kg) para cada estante.
- El límite de peso máximo es de 225 lbs (102,3 kg) para el armario.

## Desempaque las piezas del armario

1. Quite y verifique el contenido. Se incluye una Llave hexagonal en L, una llave y las piezas y sujetadores que se muestran en "Piezas".
2. Deshágase de todos los materiales de embalaje o reciclelos.

## Ensamble el armario



F1



F2

F1 Perno de cabeza hexagonal de  $\frac{5}{16}$ " (24)  
F2 Tuerca de reborde de  $\frac{5}{16}$ " (8)

Reúna las herramientas necesarias antes de comenzar la instalación.

### Herramientas necesarias:

- Llave de tuercas de  $\frac{1}{2}$ "
- Destornillador Phillips
- Llave de tuercas de  $\frac{3}{8}$ "
- Nivel

### Herramientas suministradas:

- Llave hexagonal en L
- Llave

## ⚠ ADVERTENCIA

### Peligro de Peso Excesivo

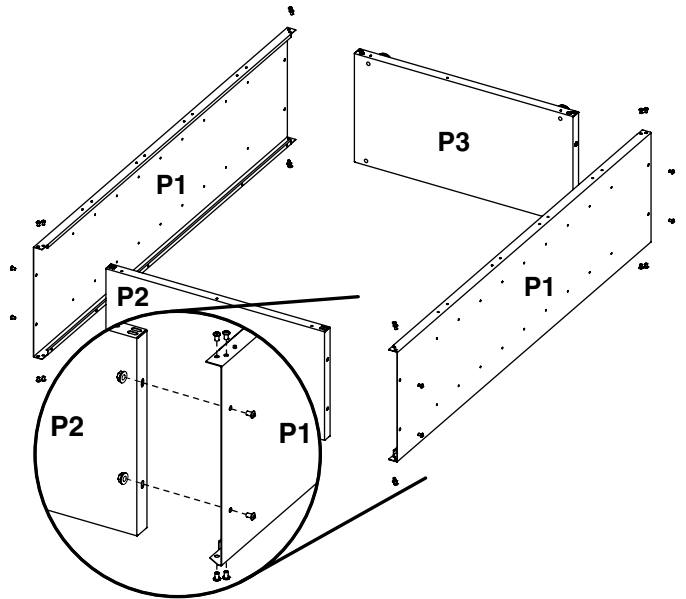
Use dos o más personas para mover, ensamblar o instalar el armario.

No seguir esta instrucción puede ocasionar una lesión en la espalda u otro tipo de lesiones.

### IMPORTANTE:

- Tal vez se necesiten dos personas para completar el ensamblaje.
  - A medida que ensambla el armario, asegúrese de que los bordes con orificios estén mirando hacia arriba.
  - Si va a ensamblar el armario en el piso, después de colocarlo en forma vertical, ajuste los ocho pernos para las esquinas del frente, ubicando dos en cada esquina.
1. Coloque el panel lateral (P1) sobre una superficie plana y firme de manera que el extremo con orificios quede mirando hacia arriba, como se muestra.
  2. Inserte la parte superior del armario (P2) entre los extremos del panel lateral (P1).  
**NOTA:** Asegúrese de que los bordes con orificios estén mirando hacia arriba.
  3. Alinee los orificios y sujete la parte superior (P2) al panel lateral (P1) usando seis pernos de cabeza hexagonal (F1) y dos tuercas de reborde de  $\frac{5}{16}$ " (F2), como se muestra. No los apriete completamente.
  4. Coloque el otro panel lateral (P1) de manera que la parte superior (P2) quede entre los extremos del panel lateral (P1).

5. Alinee los orificios y sujete la parte superior (P2) a la parte lateral (P1) usando seis pernos de cabeza hexagonal (F1) y dos tuercas de reborde de  $\frac{5}{16}$ " (F2), como se muestra. No los apriete completamente.
6. Inserte la parte inferior del armario (P3) entre los extremos de los paneles laterales (P1).  
**NOTA:** Asegúrese de que los bordes con orificios estén mirando hacia arriba.
7. Alinee los orificios y fije la parte inferior (P3) a los lados (P1) usando los seis pernos de cabeza hexagonal (F1) y dos tuercas de reborde de  $\frac{5}{16}$ " (F2) para cada lado, como se muestra. No los apriete completamente.



## Fije los paneles posteriores



F3c

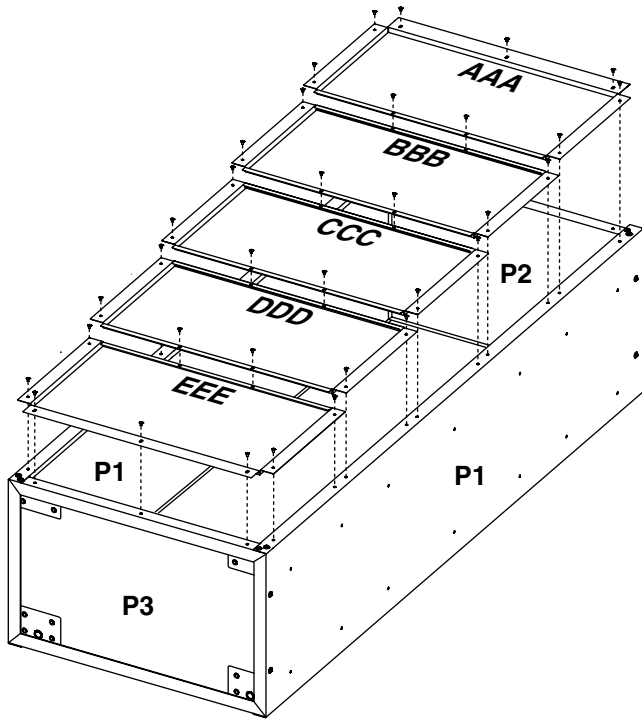
Tornillos de cabeza Phillips (34)

### IMPORTANTE:

- Fije los paneles posteriores, comenzando por la parte superior del armario, con el armario posterior (AAA) y trabajando hacia abajo, hacia el fondo del armario. Cada panel sobrepasará al panel que esté abajo.
  - No apriete los tornillos por completo hasta que todos los paneles posteriores estén en su lugar.
1. Alinee el panel posterior (AAA) con los orificios en la parte superior del armario. Fije el panel posterior (AAA) a la parte superior y los lados del armario usando siete tornillos de cabeza Phillips (F3c).
  2. Deslice la parte superior del panel posterior (BBB) debajo de la parte inferior del panel posterior (AAA). Fije el panel posterior (BBB) a los lados del armario, usando cuatro tornillos de cabeza Phillips.
  3. Repita el paso 2 para los paneles posteriores restantes, terminando con el panel posterior (EEE).
  4. Fije cada panel posterior al panel que está debajo usando dos tornillos de cabeza Phillips.  
**NOTA:** Fije el panel (EEE) al fondo del armario (P3) usando tres tornillos de cabeza Phillips.
  5. Apriete por completo todos los tornillos del panel posterior, comenzando por los lados y siguiendo por la parte superior, del medio e inferior.



6. Apriete por completo los 24 pernos y tuercas del armario con la Llave hexagonal en L (provista).



## Instalación de los estantes



F3c



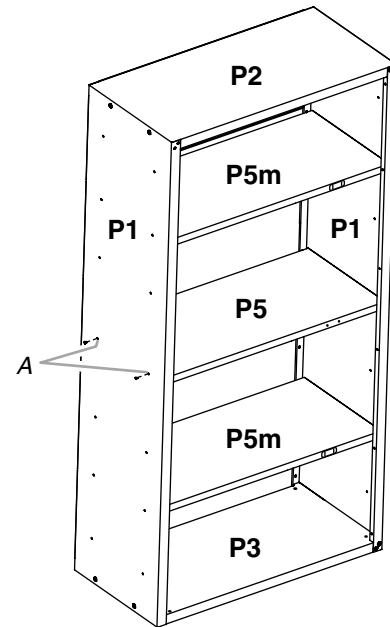
F5

F3c Tornillos de cabeza Phillips (12)

F5 Tuerca de reborde pequeña (12)

**IMPORTANTE:** Use el par de orificios ubicados en el medio de los lados del armario para instalar un estante central (P5) sin el imán, de modo que las puertas se puedan asegurar. Los otros dos estantes con imanes pueden instalarse donde se desee (P5m).

1. Coloque el estante (P5) sin imán en el armario de modo que el borde largo con dos orificios quede mirando hacia fuera.
2. Alinee los orificios en los extremos del estante con el par de orificios en el medio de los lados del armario (P1).
3. Sujete el estante (P5) a los lados (P1) usando dos pernos y tuercas por cada lado.



A. Par de orificios del medio en el lado del armario

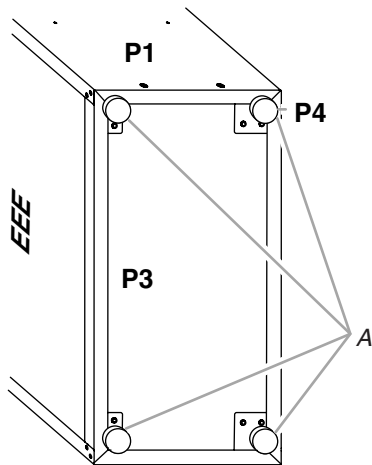
4. Decida dónde desea ubicar los otros dos estantes con imanes (P5m). Alinee los orificios en los extremos del estante con los orificios en el lado del armario.

**NOTA:** Asegúrese de que los imanes que están en los extremos largos de los estantes queden mirando hacia el frente del armario.

5. Sujete los estantes con imanes (P5m) a los lados del armario (P1) usando dos pernos y tuercas por cada lado. Apriete por completo las tuercas.

## Instalación de las patas niveladoras

1. Coloque el armario de costado.
2. Atornille una pata niveladora (P4) en cada una de las cuatro tuercas con remache que están ubicadas en las esquinas del armario, como se muestra.



A. Patas niveladoras

3. Coloque el armario en posición vertical.
4. Si no lo ha hecho todavía, ajuste los dos pernos en cada esquina frontal del marco del armario. Ajuste firmemente todos los pernos y tuercas del armario.

## Instalación de las puertas

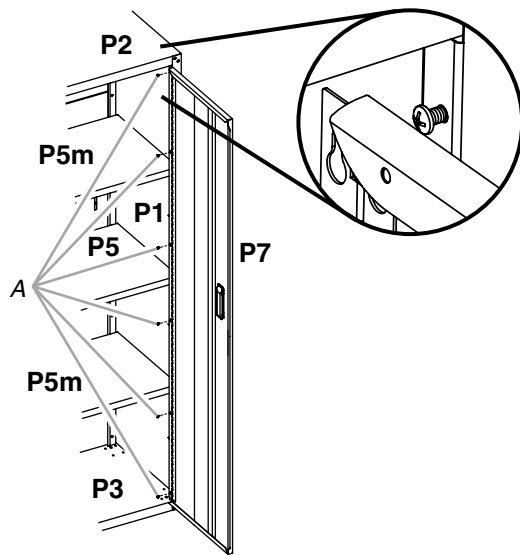


F3c

Tornillos de cabeza Phillips (12)

### IMPORTANTE:

- La puerta que tiene el ensamblaje de traba (P7) deberá instalarse en el lado derecho del armario.
  - Las bisagras de la puerta se han diseñado con ranuras en forma de bocallaves en la parte superior e inferior, de modo que la puerta cuelgue en el armario mientras usted coloca los tornillos.
1. Empiece colocando tornillos de cabeza Phillips (F3c) en los orificios de la parte superior e inferior, a cada lado del armario.
  2. Cuelgue la puerta del lado derecho (P7) de los tornillos superiores e inferiores y apriételos a mano.
  3. Inserte los cuatro tornillos del medio en el armario, a través de la bisagra de la puerta, y apriételos a mano.



A. Tornillos de cabeza Phillips

4. Repita los pasos 2 y 3 para fijar la puerta izquierda (P6).
5. Alinee las puertas y apriete los tornillos por completo.

## Complete el ensamblaje

1. Asegúrese de que haya un perno o un tornillo en cada orificio del marco del armario.
2. Mueva el armario a su ubicación final.
3. Coloque un nivel en un estante interior y, si es necesario, nivele el armario ajustando la altura de las patas niveladoras. Gire hacia la izquierda para levantar la pata niveladora o hacia la derecha para bajarla.
4. Si las puertas no están alineadas, afloje todos los tornillos que sujetan la bisagra de la puerta al armario.
5. Ajuste la puerta a la altura deseada y apriete completamente los tornillos.

## ACCESORIOS

Para pedir accesorios, llame al **1-866-342-4089** y solicite el número de pieza del accesorio que se detalla a continuación o póngase en contacto con su distribuidor autorizado de Gladiator® GarageWorks. En Canadá, llame al **1-800-807-6777**.

**Juego para el montaje del soporte** - Permite montar el armario en los paneles GearWall® o los canales GearTrack® de Gladiator® Garageworks.

Pida la pieza número GABK362PSS

# GARANTÍA PARA EL ARMARIO GRANDE Y EXTRA GRANDE DE ACERO PARA HERRAMIENTAS GLADIATOR® GARAGEWORKS

## GARANTÍA LIMITADA DE DIEZ AÑOS (SÓLO PARA EL ARMARIO - NO SE INCLUYE LA MANO DE OBRA)

Durante diez años a partir de la fecha de compra original, siempre y cuando el armario grande o extra grande de acero para herramientas se instale, use y sea mantenido de acuerdo con las instrucciones adjuntas o provistas con el producto, Gladiator® GarageWorks proporcionará, a su sola opción, las piezas de repuesto especificadas de fábrica para corregir defectos en los materiales o en la mano de obra, existentes en el momento de la compra del producto, o lo reemplazará (se excluyen los gastos de envío o flete). Si se reemplaza, el producto estará cubierto por el tiempo restante de la garantía limitada de diez años de la unidad original.

SU ÚNICO Y EXCLUSIVO RECURSO SEGÚN LOS TÉRMINOS DE LA GARANTÍA LIMITADA SERÁ EL DE REPARAR O REEMPLAZAR EL PRODUCTO A NUESTRA DISCRECIÓN, SEGÚN SE ESTIPULA EN LA PRESENTE. Esta garantía limitada es válida en los Estados Unidos y en Canadá, y se aplica solamente cuando el producto se use en el país en el que se ha comprado. Esta garantía limitada entrará en vigor a partir de la fecha de la compra del consumidor original. Se requiere una prueba de la fecha de compra original para obtener servicio o reemplazo bajo esta garantía limitada.

## EXCLUSIONES DE LA GARANTÍA

### Esta garantía limitada no cubre:

1. Servicio técnico a domicilio que incluye, sin limitación, visitas para corregir la instalación de cualquier producto de Gladiator® GarageWorks o para enseñarle a usarlo o instalarlo.
2. Daños causados por mal manejo o envío de productos, productos dañados por accidente, alteración, uso indebido, abuso, incendio, inundación, instalación incorrecta, actos fortuitos, negligencia, corrosión, modificación o maltrato.
3. Todos los gastos de transporte, envío o flete para entregar productos de reemplazo o para devolver productos defectuosos.
4. Piezas de repuesto especificadas de fábrica o reemplazo del producto cuando éste se use de un modo diferente al doméstico normal de una sola familia, como en un comercio, o se manipule de un modo contrario a las instrucciones publicadas para el usuario u operador y/o las instrucciones de instalación.
5. Daños estéticos incluyendo rayaduras, golpes, abolladuras o rajaduras que no afecten la capacidad estructural o de funcionamiento del producto.
6. Cualquier gasto de mano de obra durante el período de la garantía limitada.
7. Daños causados por la carga indebida que exceda del peso máximo especificado que se detalla en las instrucciones de ensamblaje provistas con el producto, incluyendo la sobrecarga de ganchos, canastas, estantes, armarios y otros accesorios de Gladiator® GarageWorks usados con este producto.
8. Superficies dañadas debido a la interacción química que dé como resultado la corrosión de pintura o de metal.
9. Mecanismo de traba o llaves de reemplazo.

**El costo de la reparación o del reemplazo bajo estas circunstancias excluidas correrá por cuenta del cliente.**

## EXCLUSIÓN DE GARANTÍAS IMPLÍCITAS

LAS GARANTÍAS IMPLÍCITAS, INCLUYENDO CUALQUIER GARANTÍA IMPLÍCITA DE COMERCIABILIDAD O GARANTÍA IMPLÍCITA DE CAPACIDAD PARA UN PROPÓSITO PARTICULAR, SERÁN LIMITADAS A UN AÑO O AL PERÍODO MÁS CORTO PERMITIDO POR LEY. Algunos estados y provincias no permiten la limitación de la duración de las garantías implícitas de comerciabilidad o capacidad, de modo que la limitación arriba indicada quizás no le corresponda. Esta garantía le otorga derechos legales específicos, y es posible que usted tenga también otros derechos que varían de un estado a otro o de una provincia a otra.

## LIMITACIÓN DE RECURSOS; EXCLUSIÓN DE DAÑOS INCIDENTALES Y CONSECUENTES

SU ÚNICO Y EXCLUSIVO RECURSO SEGÚN LOS TÉRMINOS DE ESTA GARANTÍA LIMITADA SERÁ EL DE REPARAR EL PRODUCTO SEGÚN SE ESTIPULA EN LA PRESENTE. GLADIATOR® GARAGEWORKS NO SE RESPONSABILIZARÁ POR DAÑOS INCIDENTALES O CONSECUENTES. Algunos estados y provincias no permiten la exclusión o limitación de daños incidentales o consecuentes, de modo que estas limitaciones y exclusiones quizás no le correspondan. Esta garantía le otorga derechos legales específicos, y es posible que usted tenga también otros derechos que varían de un estado a otro o de una provincia a otra.

Esta garantía no tiene vigor fuera de los cincuenta estados de Estados Unidos y Canadá. Póngase en contacto con el distribuidor autorizado de Gladiator® GarageWorks para determinar si corresponde otra garantía.

Si necesita servicio técnico, llame al Centro para la eXperiencia del cliente de Gladiator® GarageWorks al **1-866-342-4089** (gratuito) desde cualquier lugar de los EE.UU. En Canadá, póngase en contacto con su compañía designada de Whirlpool Canada LP o llame al **1-800-807-6777**.

En los EE. UU., Gladiator® GarageWorks significa Whirlpool Corporation, Benton Harbor, Michigan 49022. En Canadá, Gladiator® GarageWorks significa Whirlpool Canada LP, Mississauga, ON L5N 3A7.

9/11

**Guarde este libro y su comprobante de compra juntos para referencia futura. Usted deberá proporcionar el comprobante de la compra o la fecha de instalación para obtener servicio bajo la garantía.**

Escriba la siguiente información acerca de armario grande y extra grande de acero para herramientas para ayudarle mejor a obtener asistencia o servicio técnico si alguna vez llegara a necesitarlo. Deberá tener a mano el número completo del modelo y de la serie. Usted puede encontrar esta información en la etiqueta con el número de modelo y de serie que está ubicada en la parte posterior del producto.

Nombre del distribuidor \_\_\_\_\_

Dirección \_\_\_\_\_

Número de teléfono \_\_\_\_\_

Número de modelo \_\_\_\_\_

Número de serie \_\_\_\_\_

Fecha de compra \_\_\_\_\_

# SÉCURITÉ DE L'ARMOIRE

## Votre sécurité et celle des autres est très importante.

Nous donnons de nombreux messages de sécurité importants dans ce manuel et sur votre appareil ménager. Assurez-vous de toujours lire tous les messages de sécurité et de vous y conformer.



Voici le symbole d'alerte de sécurité.

Ce symbole d'alerte de sécurité vous signale les dangers potentiels de décès et de blessures graves à vous et à d'autres.

Tous les messages de sécurité suivront le symbole d'alerte de sécurité et le mot "DANGER" ou "AVERTISSEMENT". Ces mots signifient :

**⚠ DANGER**

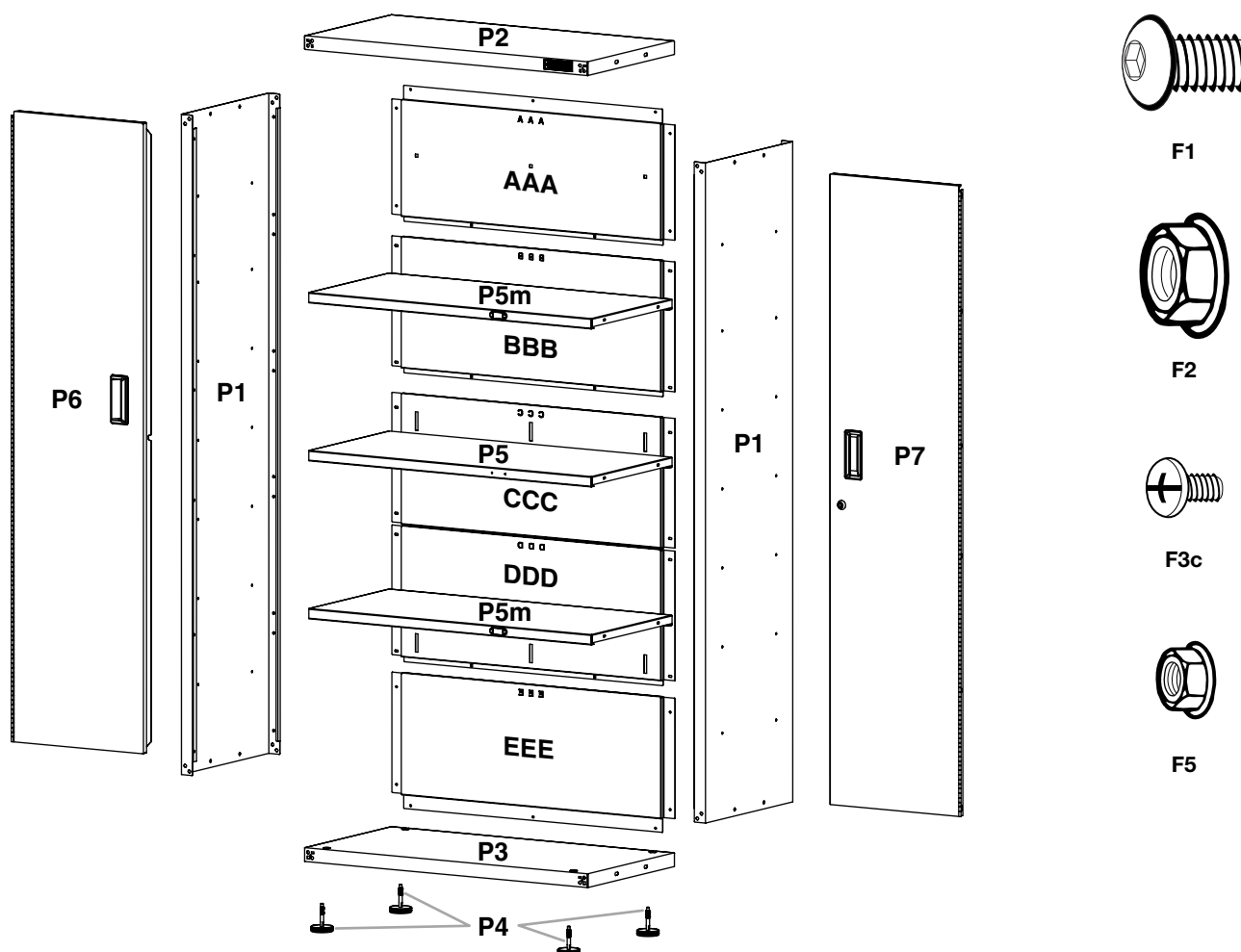
Risque possible de décès ou de blessure grave si vous ne suivez pas immédiatement les instructions.

**⚠ AVERTISSEMENT**

Risque possible de décès ou de blessure grave si vous ne suivez pas les instructions.

Tous les messages de sécurité vous diront quel est le danger potentiel et vous disent comment réduire le risque de blessure et ce qui peut se produire en cas de non-respect des instructions.

## PIÈCES



# INSTRUCTIONS D'ASSEMBLAGE

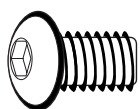
## Spécifications d'utilisation de l'armoire

- Le produit est conçu pour l'utilisation dans un garage.
- Charge maximale de 45 lb (20,5 kg) par étagère.
- Charge maximale de 225 lb (102,3 kg) pour l'armoire.

## Déballage des composants de l'armoire

1. Retirer le contenu; vérifier la présence de tous les composants. Le contenu inclut une clé hexagonale, une clé de serrure, ainsi que toutes les pièces et attaches illustrées dans la section "Pièces".
2. Jeter/recycler tous les matériaux d'emballage.

## Assemblage de l'armoire



F1

F1 Vis Hexagonale de 5/16" (24)

F2 Écrou à embase de 5/16" (8)



F2

Rassembler les outils nécessaires avant de commencer l'installation.

### Outillage nécessaire :

- Clé de 1/2"
- Clé de 3/8"
- Tournevis Phillips
- Niveau

### Outils fournis :

- Clé hexagonale
- Clé de serrure

## ⚠ AVERTISSEMENT

### Risque du poids excessif

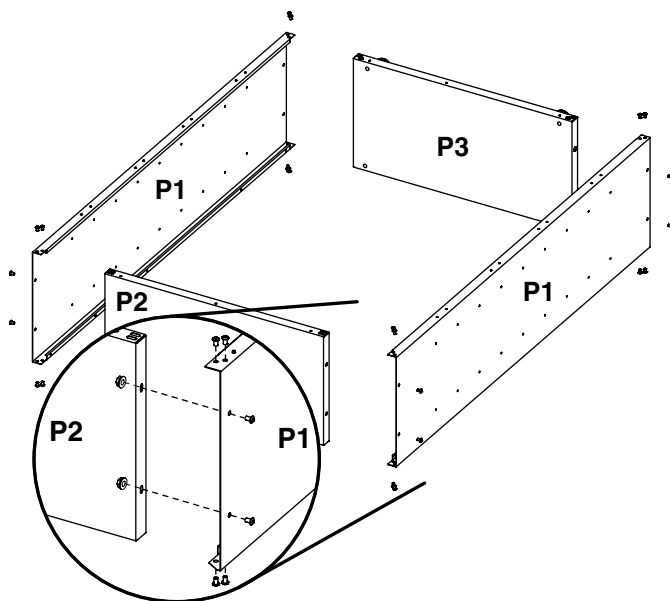
Utiliser deux ou plus de personnes pour déplacer, assembler, ou installer l'armoire.

Le non-respect de cette instruction peut causer une blessure au dos ou d'autre blessure.

### IMPORTANT :

- La participation de deux personnes peut être nécessaire pour l'assemblage.
  - Lors de l'assemblage de l'armoire, placer vers le haut les rives comportant les trous.
  - En cas d'assemblage de l'armoire au sol, serrer les huit vis des coins avant (deux à chaque coin) après avoir mis l'armoire en position debout.
1. Placer un panneau latéral (P1) sur une surface ferme plane; la rive comportant des trous doit être orientée vers le haut.
  2. Insérer le panneau supérieur (P2) entre les rives du panneau latéral (P1).  
**REMARQUE :** Les rives comportant des trous doivent être orientées vers le haut.
  3. Aligner les trous; connecter le panneau du sommet (P2) avec le panneau latéral (P1) - utiliser six vis hexagonales (F1) et des écrous à embase de 5/16" (F2) (deux) - voir l'illustration. Ne pas serrer complètement.
  4. Positionner l'autre panneau latéral (P1); ses rives doivent prendre prise sur le panneau du sommet (P2).

5. Aligner les trous; connecter le panneau du sommet (P2) avec le panneau latéral (P1) - utiliser six vis hexagonales (F1) et des écrous à embase de 5/16" (F2) (deux) - voir l'illustration. Ne pas serrer complètement.
6. Insérer le panneau du bas (P3) entre les rives des panneaux latéraux (P1).  
**REMARQUE :** Les rives comportant des trous doivent être orientées vers le haut.
7. Aligner les trous; connecter le panneau du bas (P3) avec les panneaux latéraux (P1) - utiliser six vis hexagonales (F1) et des écrous à embase de 5/16" (F2) (deux) pour chaque côté - voir l'illustration. Ne pas serrer complètement.



## Fixation des panneaux arrière



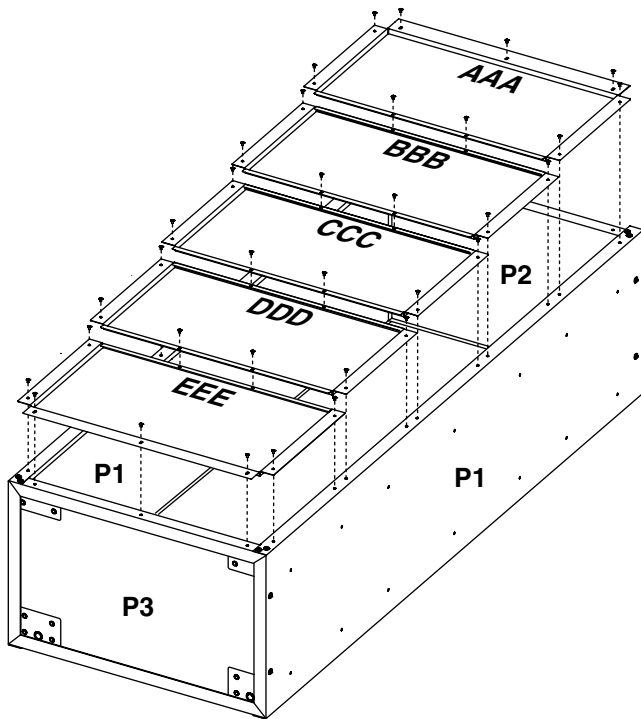
F3c

Vis Phillips (34)

### IMPORTANT :

- Fixer les panneaux arrière en partant du haut de l'armoire avec le panneau arrière (AAA) et en travaillant vers le bas de l'armoire. Chaque panneau arrière chevauchera le panneau inférieur.
  - Ne pas serrer complètement les vis tant que les panneaux arrière ne sont pas en place.
1. Aligner le panneau arrière (AAA) avec les trous du sommet de l'armoire. À l'aide de sept vis Phillips (F3c), fixer le panneau arrière (AAA) à la partie supérieure et aux côtés de l'armoire.
  2. Faire glisser la partie supérieure du panneau arrière (BBB) sous la partie inférieure du panneau arrière (AAA). À l'aide de quatre vis Phillips, fixer le panneau arrière (BBB) aux côtés de l'armoire.
  3. Répéter l'étape 2 pour les panneaux arrière restants en terminant avec le panneau (EEE).
  4. À l'aide de deux vis Phillips, fixer chaque panneau arrière au panneau inférieur.  
**REMARQUE :** À l'aide de trois vis Phillips, fixer le panneau (EEE) au bas de l'armoire (P3).
  5. Serrer complètement toutes les vis du panneau arrière - commencer par les côtés et poursuivre avec le sommet, le milieu de l'armoire et le fond.

- Utiliser la clé hexagonale (fournie) pour serrer complètement les 24 boulons et écrous de l'armoire.



## Installation des étagères



F3c

F3c Vis Phillips (12)

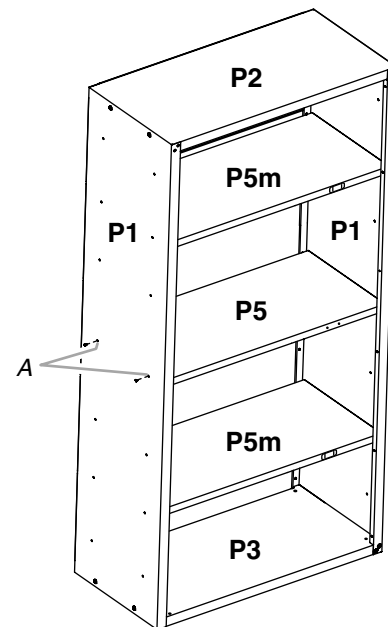


F5

F5 Petit écrou à embase (12)

**IMPORTANT :** Utiliser les deux trous situés au milieu des côtés de l'armoire pour installer une étagère centrale (P5) sans l'aimant, de façon à pouvoir verrouiller les portes. Il sera possible d'installer les deux autres étagères (P5m) là où on le souhaite à l'aide de l'aimant.

- Placer l'étagère (P5) sans aimant dans l'armoire de façon à ce que la longue rive comportant les deux trous soit orientée vers l'extérieur.
- Aligner les trous des extrémités de l'étagère avec les deux trous situés au milieu des côtés de l'armoire (P1).
- À l'aide de deux boulons et écrous par côté, fixer l'étagère (P5) aux côtés (P1).

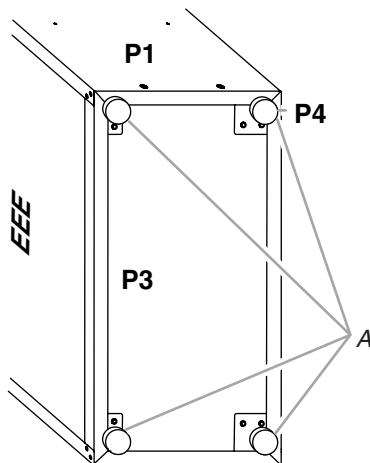


A. Doubles trous centraux sur le côté de l'armoire

- Déterminer l'emplacement des deux autres étagères (P5m). Aligner les trous des extrémités de l'étagère avec les trous du côté de l'armoire.  
**REMARQUE :** Veiller à ce que les aimants situés le long des étagères soient orientés vers l'avant de l'armoire.
- À l'aide de deux boulons et écrous par côté, fixer les étagères (P5m) aux côtés de l'armoire (P1) à l'aide de l'aimant. Serrer complètement les écrous.

## Installation des pieds de réglage de l'aplomb

- Placer l'armoire en appui sur un côté.
- Visser un pied de réglage de l'aplomb (P4) dans chacun des quatre écrous situés dans les angles de l'armoire - voir l'illustration.



A. Pieds de réglage de l'aplomb

- Placer l'armoire à la verticale.
- Si ce n'est pas déjà fait, serrer les deux vis des coins avant du cadre de l'armoire. Serrer complètement toutes les vis et les écrous de l'armoire.

## Installation des portes

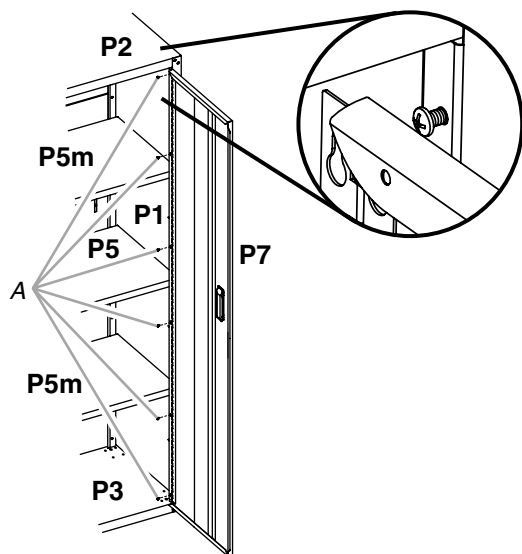


**F3c**

Vis Phillips (12)

### IMPORTANT :

- On doit installer la porte comportant le mécanisme de verrouillage (P7) sur le côté droit de l'armoire.
  - Les charnières de porte sont conçues avec les trous allongés en haut et en bas de façon à ce que la porte soit suspendue à l'armoire pendant que l'on serre les vis.
1. Engager les vis Phillips (F3c) dans les trous supérieurs et inférieurs de chaque côté de l'armoire.
  2. Suspendre la porte de droite (P7) aux vis supérieures et inférieures puis serrer à la main.
  3. Insérer les quatre vis du milieu dans la charnière de porte, dans l'armoire, puis serrer à la main.



A. Vis Phillips

4. Répéter les étapes 2 et 3 pour installer la porte de gauche (P6).
5. Aligner les portes et serrer complètement les vis.

## Fin de l'assemblage

1. Veiller à ce qu'il y ait une vis ou un écrou dans chaque trou du cadre de l'armoire.
2. Déplacer l'armoire jusqu'à son emplacement d'installation final.
3. Placer un niveau sur l'étagère interne; si nécessaire, ajuster la longueur de déploiement des pieds de réglage de l'aplomb pour établir l'aplomb de l'armoire. Tourner les pieds vers la gauche pour soulever ou vers la droite pour abaisser l'armoire.
4. Si les portes ne sont pas alignées, desserrer les vis fixant la charnière de porte sur l'armoire.
5. Ajuster la position de la porte à la hauteur désirée et resserrer complètement les vis.

## ACCESSOIRES

Pour commander des accessoires, composer le **1-866-342-4089** et demander le numéro de pièce indiqué ci-dessous ou contacter votre marchand autorisé Gladiator® GarageWorks. Au Canada, composer le **1-800-807-6777**.

**Ensemble de tringle de montage** - Permet le montage de l'armoire sur des panneaux Gladiator® Garageworks GearWall® ou profilés GearTrack®.

Commander la pièce n° GABK362PSS

# GARANTIE DE LA GRANDE ARMOIRE À OUTILS ET DE LA TRÈS GRANDE ARMOIRE À OUTILS EN ACIER GLADIATOR® GARAGeworks

## GARANTIE LIMITÉE DE DIX ANS - (ARMOIRE À OUTILS UNIQUEMENT - MAIN-D'OEUVRE NON COMPRISE)

Pendant dix ans à compter de la date d'achat d'origine, lorsque la grande armoire à outils et la très grande armoire à outils en acier a été installée, utilisée et entretenue conformément aux instructions jointes au produit ou fournies avec, Gladiator® GarageWorks choisira à sa seule discrétion de fournir les pièces de rechange spécifiées par l'usine pour corriger les vices de matériaux ou de fabrication qui existaient déjà lorsque le produit a été acheté, ou de remplacer le produit (frais d'expédition ou de transport non compris). S'il est remplacé, l'appareil restera sous garantie pour la durée restant à courir de la garantie limitée de dix ans sur le produit d'origine.

LE SEUL ET EXCLUSIF RECOURS DU CLIENT DANS LE CADRE DE LA PRÉSENTE GARANTIE LIMITÉE CONSISTE EN LA RÉPARATION OU LE REMPLACEMENT DE L'APPAREIL TEL QUE PRÉVU PAR LA PRÉSENTE, ET CE À NOTRE SEULE DISCRÉTION. Cette garantie limitée est valide uniquement aux États-Unis et au Canada et s'applique exclusivement lorsque le produit est utilisé dans le pays où il a été acheté. La présente garantie limitée est valable à compter de la date d'achat initial par le consommateur. Une preuve de la date d'achat initial est exigée pour obtenir une intervention de dépannage ou un remplacement dans le cadre de la présente garantie limitée.

## ÉLÉMENTS EXCLUS DE LA GARANTIE

La présente garantie limitée ne couvre pas :

1. Les interventions de dépannage à domicile, notamment les interventions visant à rectifier l'installation de produits Gladiator® GarageWorks ou à expliquer à l'utilisateur le mode d'utilisation ou d'installation du produit.
2. Les dommages causés par une manutention ou une expédition inadéquate des produits, ou de produits endommagés par accident, altération, mésusage, abus, incendie, inondation, installation incorrecte, actes de Dieu, négligence, corrosion, modification ou mauvaise manipulation.
3. Les frais d'expédition ou de transport pour livrer un produit de rechange ou retourner le produit défectueux.
4. Le remplacement du produit ou les pièces spécifiées par l'usine lorsque le produit est utilisé à des fins autres qu'un usage domestique unifamilial normal - tel un environnement commercial - ou lorsque le produit n'est pas utilisé conformément aux instructions d'installation et/ou aux instructions de l'opérateur ou de l'utilisateur fournies.
5. Les défauts d'apparence - éraflures, traces de choc ou fissures - n'affectant pas la fonctionnalité ou la résistance structurale du produit.
6. Tous les frais de main-d'œuvre encourus au cours de la période de garantie limitée.
7. Les dommages causés par un chargement incorrect au-delà de la capacité de poids maximum spécifiée dans les instructions d'assemblage fournies avec le produit, y compris la surcharge de crochets, paniers, étagères, armoires et autres accessoires Gladiator® GarageWorks utilisés avec le produit.
8. Les surfaces endommagées par une interaction chimique causée par la corrosion de la peinture ou du métal.
9. Les clés ou mécanisme de verrouillage de rechange.

Le coût d'une réparation ou d'un remplacement dans le cadre de ces circonstances exclues est à la charge du client.

## CLAUSE D'EXONÉRATION DE RESPONSABILITÉ AU TITRE DES GARANTIES IMPLICITES

LES GARANTIES IMPLICITES, Y COMPRIS LES GARANTIES APPLICABLES DE QUALITÉ MARCHANDE OU D'APTITUDE À UN USAGE PARTICULIER, SONT LIMITÉES À UN AN OU À LA PLUS COURTE PÉRIODE AUTORISÉE PAR LA LOI. Certains États et provinces ne permettent pas de limitation sur la durée des garanties implicites de qualité marchande ou d'aptitude à un usage particulier, de sorte que la limitation ci-dessus peut ne pas être applicable dans votre cas. Cette garantie vous confère des droits juridiques spécifiques et vous pouvez également jouir d'autres droits qui peuvent varier d'une juridiction à l'autre.

## LIMITATION DES RECOURS; EXCLUSION DES DOMMAGES FORTUITS OU INDIRECTS

LE SEUL ET EXCLUSIF RECOURS DU CLIENT DANS LE CADRE DE LA PRÉSENTE GARANTIE LIMITÉE CONSISTE EN LA RÉPARATION PRÉVUE PAR LA PRÉSENTE. GLADIATOR® GARAGeworks N'ASSUME AUCUNE RESPONSABILITÉ POUR LES DOMMAGES FORTUITS OU INDIRECTS. Certains États et certaines provinces ne permettent pas l'exclusion ou la limitation des dommages fortuits ou indirects de sorte que ces limitations et exclusions peuvent ne pas être applicables dans votre cas. Cette garantie vous confère des droits juridiques spécifiques et vous pouvez également jouir d'autres droits qui peuvent varier d'une juridiction à l'autre.

Cette garantie ne s'applique pas à l'extérieur des 50 États des États-Unis et du Canada. Contacter votre marchand Gladiator® GarageWorks autorisé pour déterminer si une autre garantie s'applique.

Si vous avez besoin de service, appelez le Centre pour l'eXpérience de la clientèle de Gladiator® GarageWorks au **1-866-342-4089** (sans frais), de n'importe où aux E.-U. Au Canada, contactez votre compagnie de service désignée par Whirlpool Canada LP ou composez le **1-800-807-6777**.

Aux États-Unis, Gladiator® GarageWorks correspond à Whirlpool Corporation, Benton Harbor, Michigan 49022. Au Canada, Gladiator® GarageWorks correspond à Whirlpool Canada LP, Mississauga, ON L5N 3A7.

9/11

**Conservez ensemble ce manuel et votre reçu de vente pour référence ultérieure. Pour un entretien ou une réparation sous garantie, vous devez présenter un document attestant de la date d'achat ou d'installation.**

Inscrivez les renseignements suivants au sujet de votre grande armoire à outils en acier et de votre très grande armoire à outils en acier pour mieux vous aider à obtenir assistance ou service en cas de besoin. Vous devrez connaître le numéro de modèle et le numéro de série au complet. Vous trouverez ces renseignements sur la plaque signalétique située à l'arrière du produit.

**2254087D**

© 2011 Whirlpool Corporation.  
All rights reserved.

Todos los derechos reservados.  
Tous droits réservés.

® Registered Trademark/TM Trademark of Whirlpool, U.S.A., Whirlpool Canada LP Licensee in Canada

® Marca registrada/TM Marca de comercio de Whirlpool, U.S.A., usada bajo licencia de Whirlpool Canada LP en Canadá  
® Marque déposée/TM Marque de commerce de Whirlpool, U.S.A., emploi sous licence par Whirlpool Canada LP au Canada

Printed in China  
Impreso en China  
Imprimé en Chine

Nom du revendeur \_\_\_\_\_

Adresse \_\_\_\_\_

Numéro de téléphone \_\_\_\_\_

Numéro de modèle \_\_\_\_\_

Numéro de série \_\_\_\_\_

Date d'achat \_\_\_\_\_