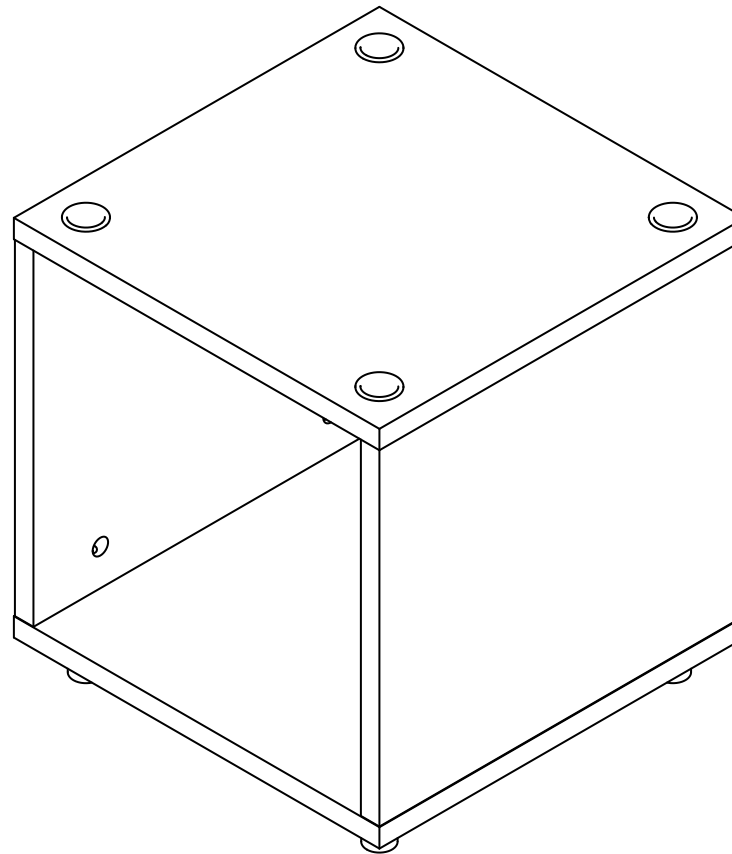


The Container Store[®]

Small Stacker

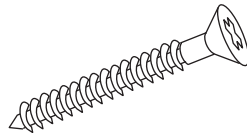


Thank you for purchasing the Small Stacker. The next two pages list all of the contents included in the box. Please take the time to identify the hardware as well as the individual components of this product. As you unpack and prepare for assembly, place the contents on a carpeted or padded area to protect them from damage.

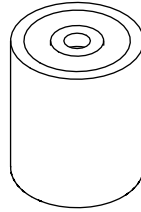
Hardware

WARNING: Severe injury may occur if furniture tips over. Never allow children to climb or play on this product. Place heavier items on lower shelves as far back as possible and never overload.

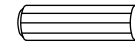
(H1) x 4+1 extra
screw



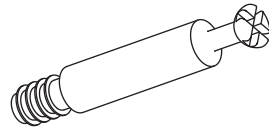
(H2) x 4
leg



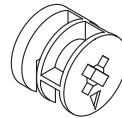
(H3) x 12+1 extra
wooden dowel



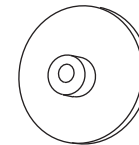
(H4) x 8+1 extra
cam bolt



(H5) x 8+1 extra
cam lock



(H6) x 8+1 extra
cam cover

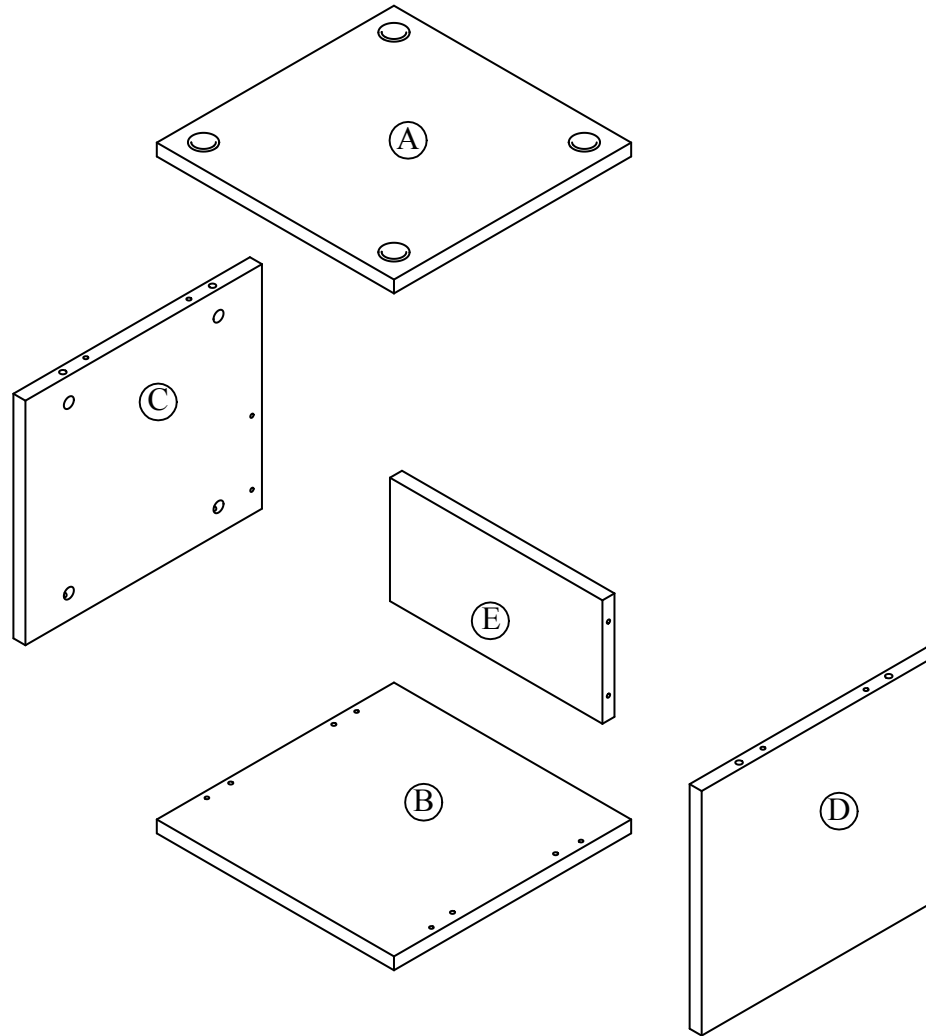


Tools:

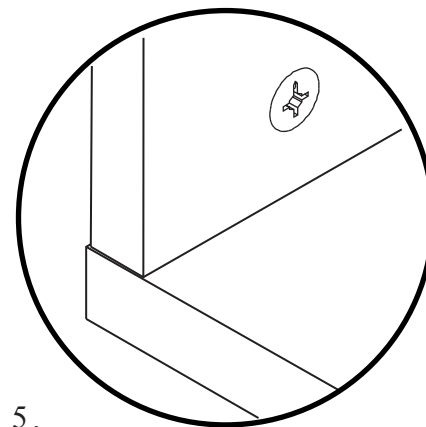
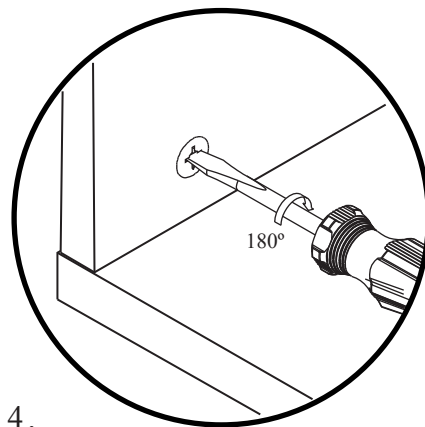
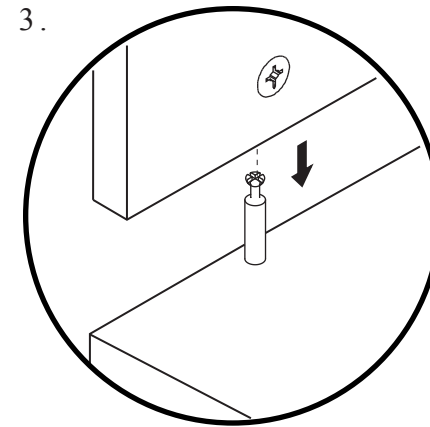
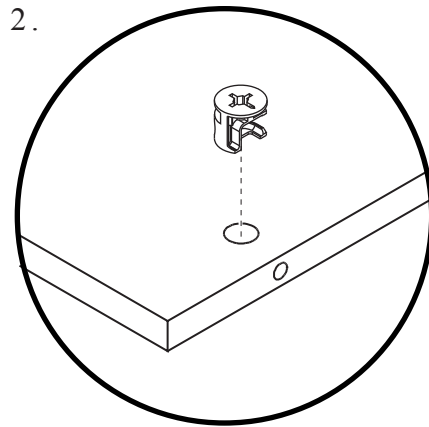
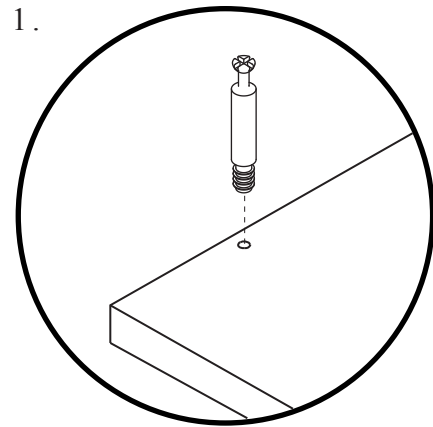
You will need a Philips screw driver, a Slotted screw driver, and you may choose to use a mallet/hammer to tap dowels in.

Item Description Quantity

A	Top Panel	1
B	Bottom Panel	1
C	Left Side Panel	1
D	Right Side Panel	1
E	Back Panel	1

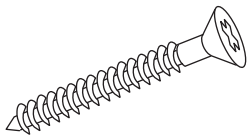


how to use the cam lock system:

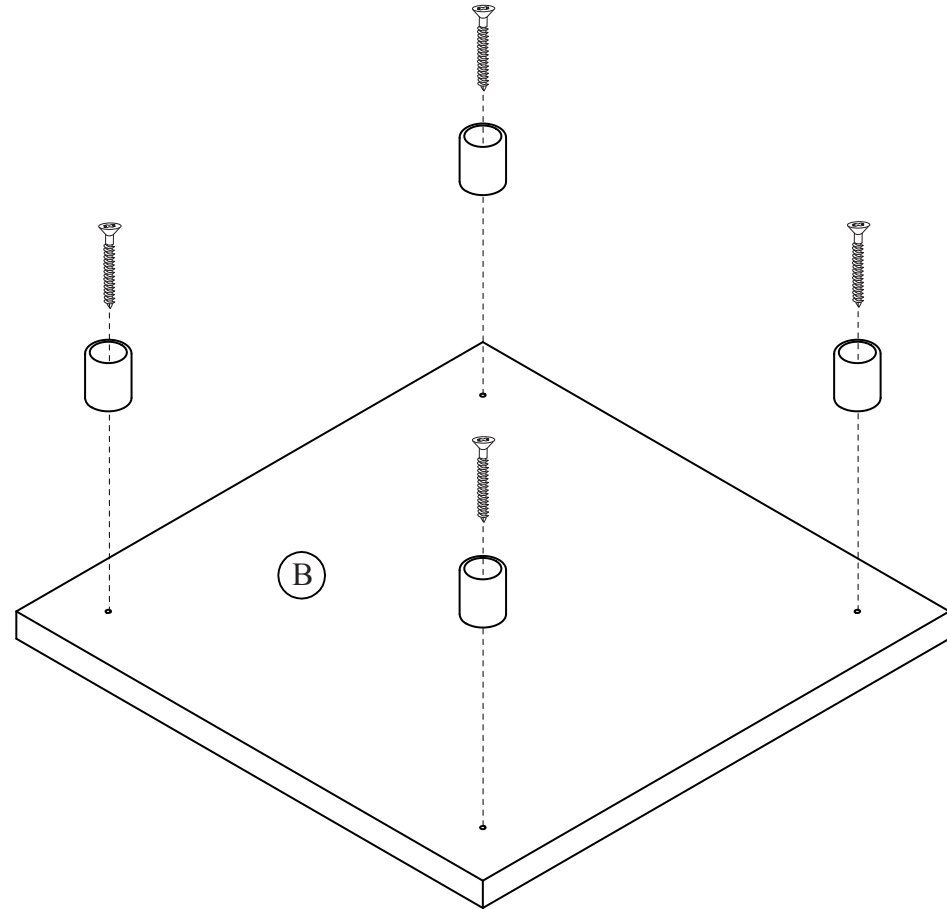
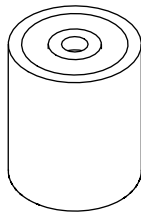


step 1.

(H1) x 4
screw

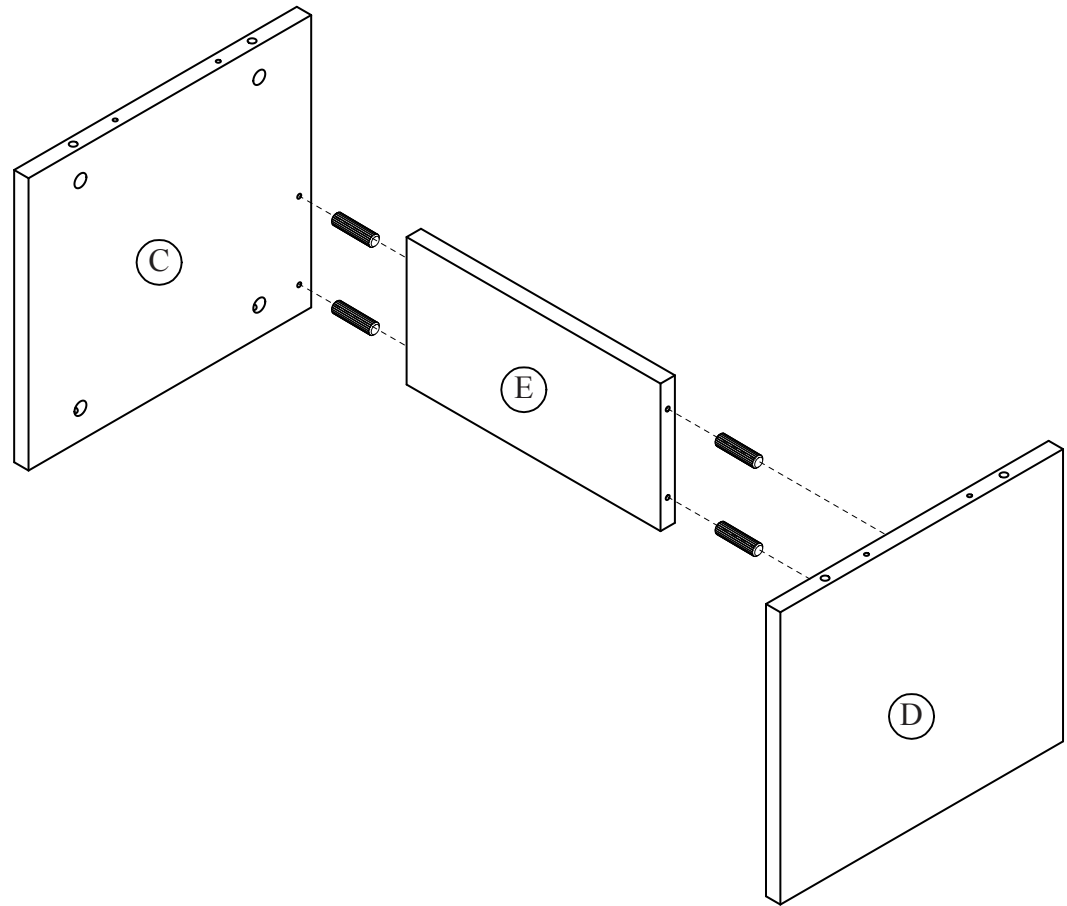


(H2) x 4
leg

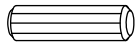


1. Locate the pilot holes in Panel B and then use a Philips screw driver to install the legs.
2. Ensure that the unit is level.

step 2.

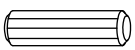


(H3) x 4
wooden dowel

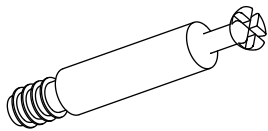


step 3.

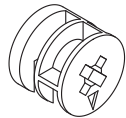
(H3) x 4
wooden dowel



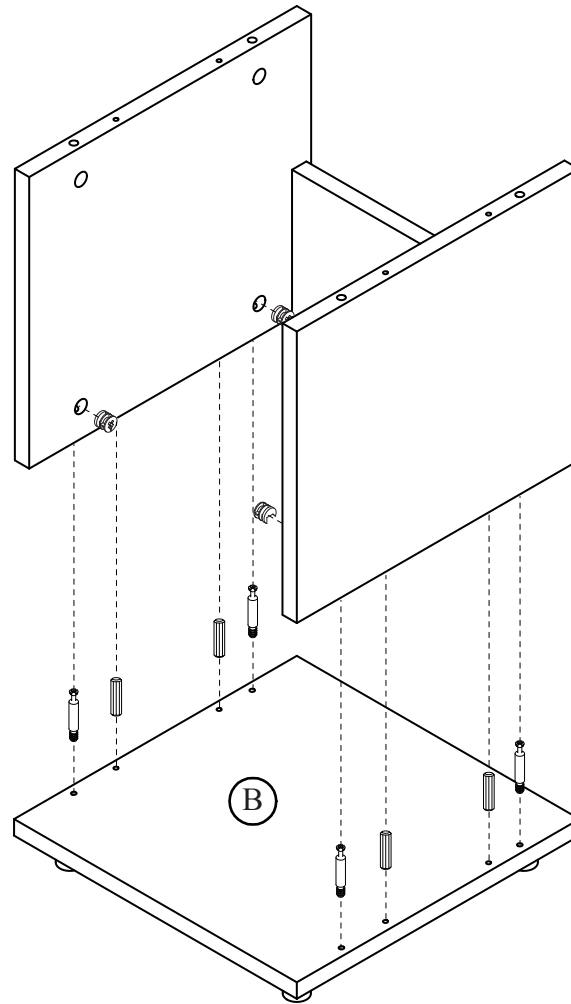
(H4) x 4
cam bolt



(H5) x 4
cam lock



1. Refer to cam lock instruction page.

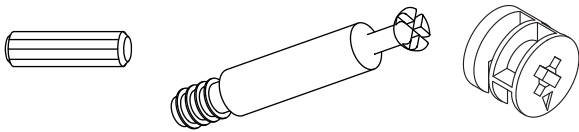


step 4.

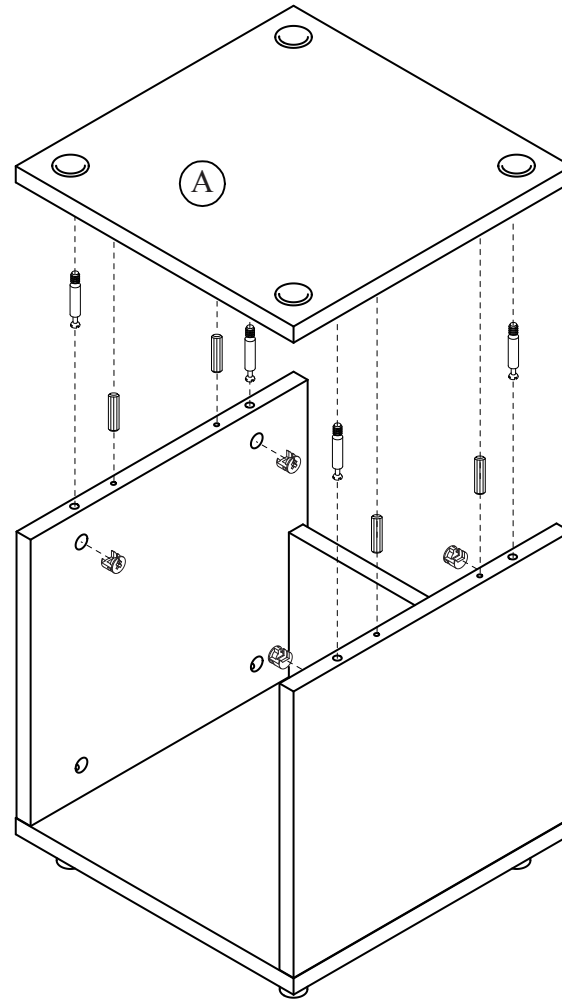
(H3) x 4
wooden dowel

(H4) x 4
cam bolt

(H5) x 4
cam lock

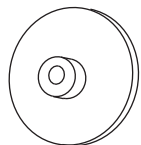


1. Refer to cam lock instruction page.

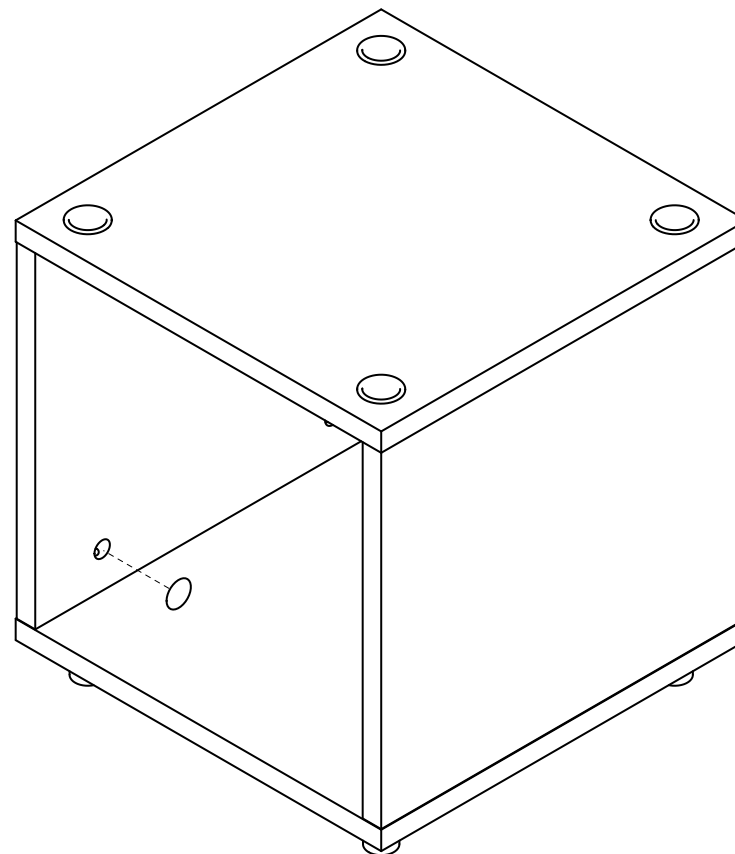


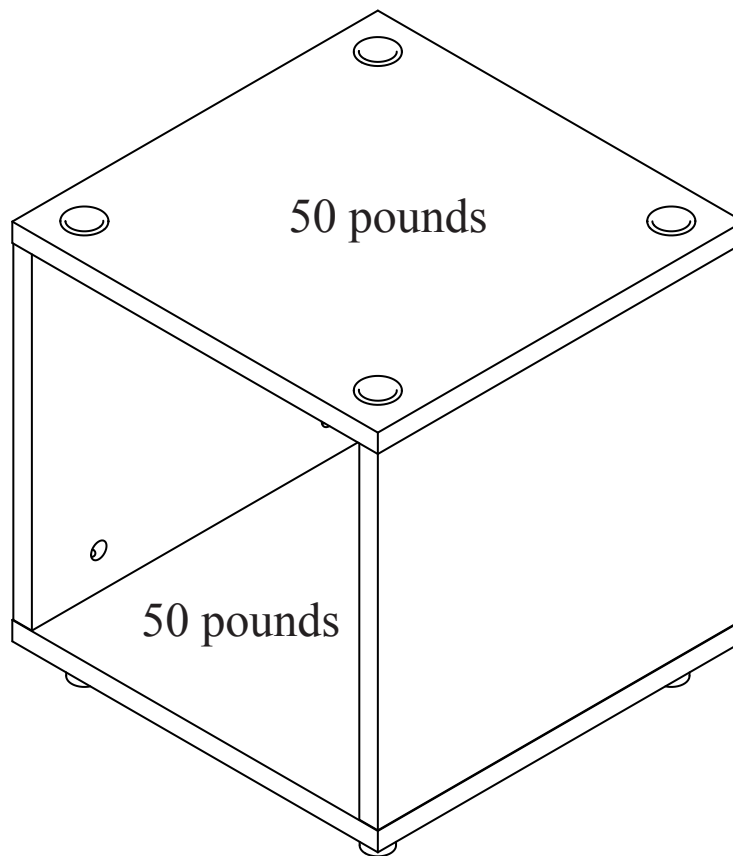
step 5.

(H6) x 8
cam cover



1. Press a cam cover over each cam lock.





Do not exceed the recommended weight limits on the designated panels. Exceeding these limits could cause sagging, possibly resulting in failure of the panel or bodily injury.