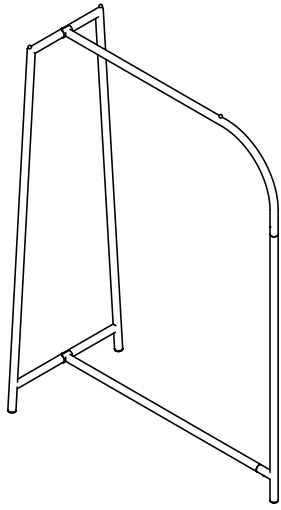
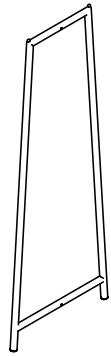


# Modern Garment Rack



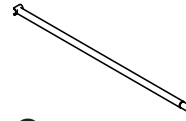
**Parts:**



**A 1 ea**  
Left Side Frame



**B 1 ea**  
Vertical Support



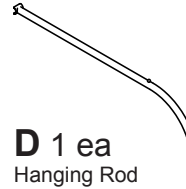
**C 1 ea**  
Horizontal Tube



**E 2 ea**  
Long Screws



**G 1 ea**  
Hex Wrench



**D 1 ea**  
Hanging Rod

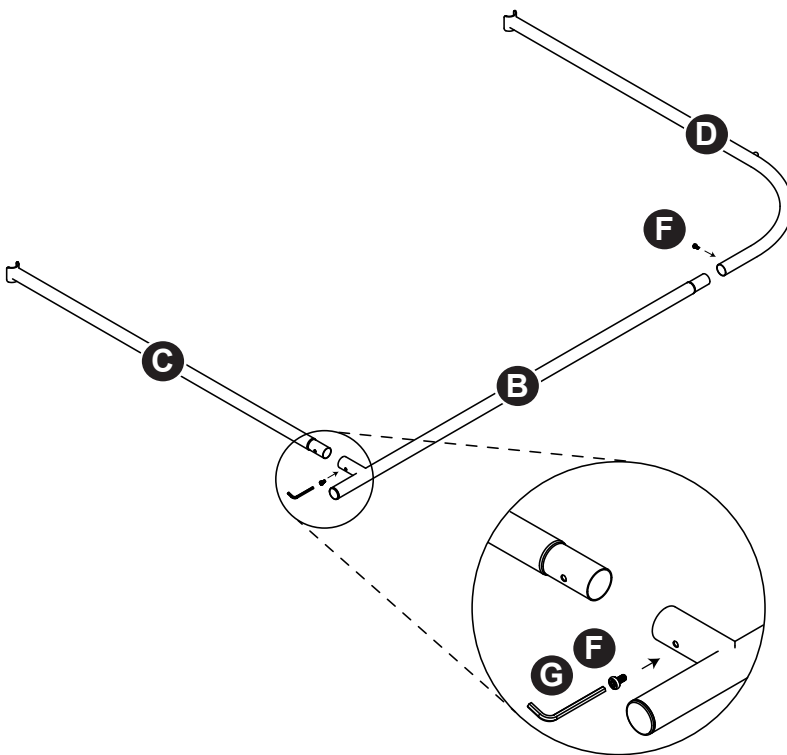


**F 2 ea**  
Short Screws

**No additional tools required.**

**STEP 1: Assemble the right side frame.**

- Insert the male side of horizontal tube (C) into the female tube on the vertical support (B).
- Twist to align the holes. Secure using short screw (F).
- Tighten with a hex wrench (G).
- Insert the male side of vertical support (B) into the female side of hanging rod (D).
- Twist to align the holes. Secure using short screw (F).
- Tighten with a hex wrench (G).



**STEP 2: Connect the frames.**

- Attach the top and bottom of right side frame to the top and bottom centers of the left side frame (A).
- Secure using two long screws (E).
- Tighten with a hex wrench (G).

