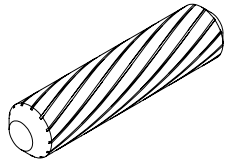
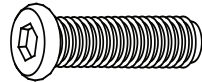


<b>A</b>	<b>Upper Left Frame</b>	<b>1</b>
<b>B</b>	<b>Upper Right Frame</b>	<b>1</b>
<b>C</b>	<b>Lower Left Frame</b>	<b>1</b>
<b>D</b>	<b>Lower Right Frame</b>	<b>1</b>
<b>E</b>	<b>Shelf 1</b>	<b>1</b>
<b>F</b>	<b>Shelf 2</b>	<b>1</b>
<b>G</b>	<b>Shelf 3</b>	<b>1</b>
<b>H</b>	<b>Bin 1</b>	<b>1</b>
<b>I</b>	<b>Bin 2</b>	<b>1</b>

Please review the hardware listed on the next page as well as individual components of this product. As you unpack and prepare for assembly, place the contents on a carpeted or padded area to protect them from damage.



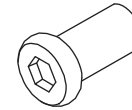
**H1 x 26  
WOODEN  
DOWEL**



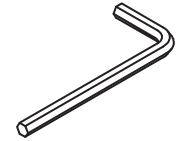
**H2 x 26  
SMALL  
BOLT**



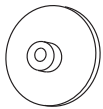
**H3 x 4  
LARGE  
BOLT**



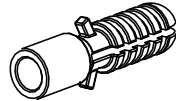
**H4 x 4  
BINDING  
SCREW**



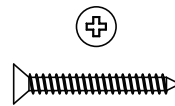
**H5 x 2  
ALLEN  
WRENCH**



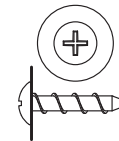
**H6 x 34  
PLASTIC  
COVER**



**H7x 1  
WALL  
ANCHOR**



**H8 x 1  
FLAT HEAD  
SCREW**



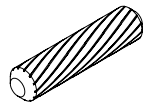
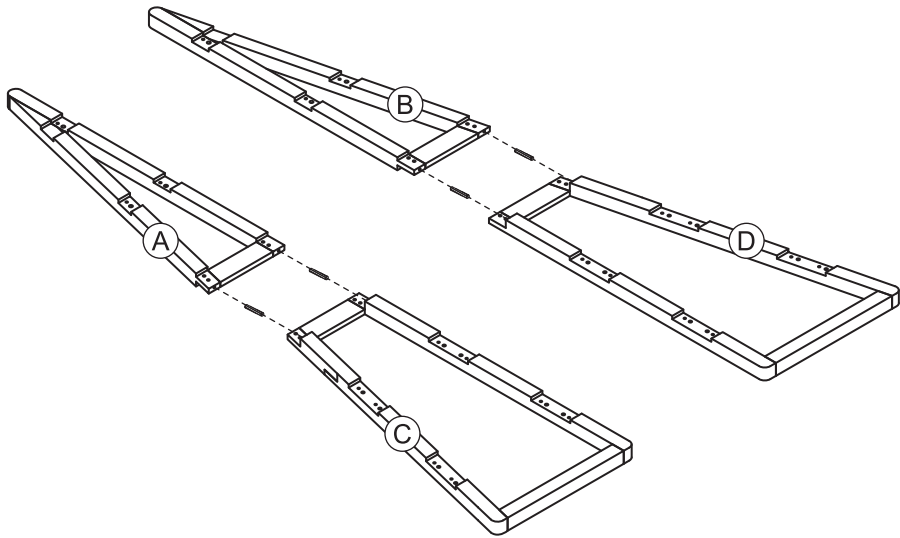
**H9 x 1  
TRUSS HEAD  
SCREW**



**H10 x 1  
WALL  
STRAP**

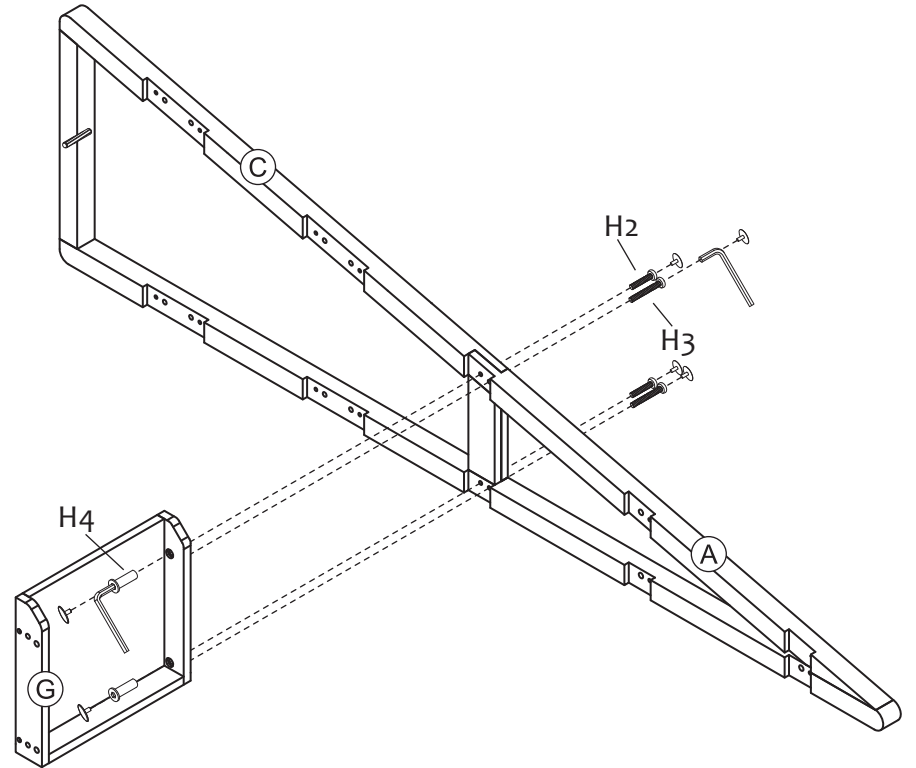
**TOOLS REQUIRED: PHILLIPS SCREWDRIVER | HAMMER**

## STEP 1

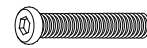


**H1 x 4**  
WOODEN  
DOWEL

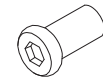
## STEP 2



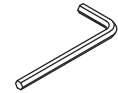
**H2 x 2**  
SMALL  
BOLT



**H3 x 2**  
LARGE  
BOLT



**H4 x 2**  
BINDING  
SCREW



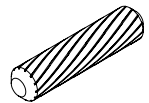
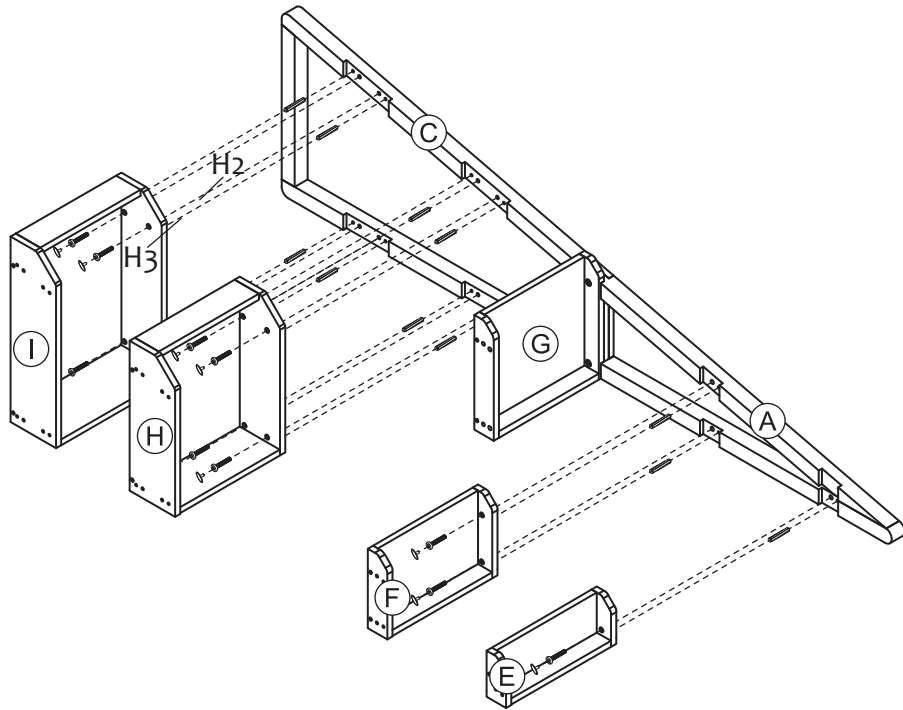
**H5 x 2**  
ALLEN  
WRENCH



**H6 x 6**  
PLASTIC  
COVER

### STEP 3

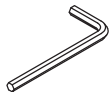
Ensure all dowels are installed before tightening bolts.



**H1 x 11**  
WOODEN  
DOWEL



**H2 x 11**  
SMALL  
BOLT



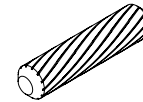
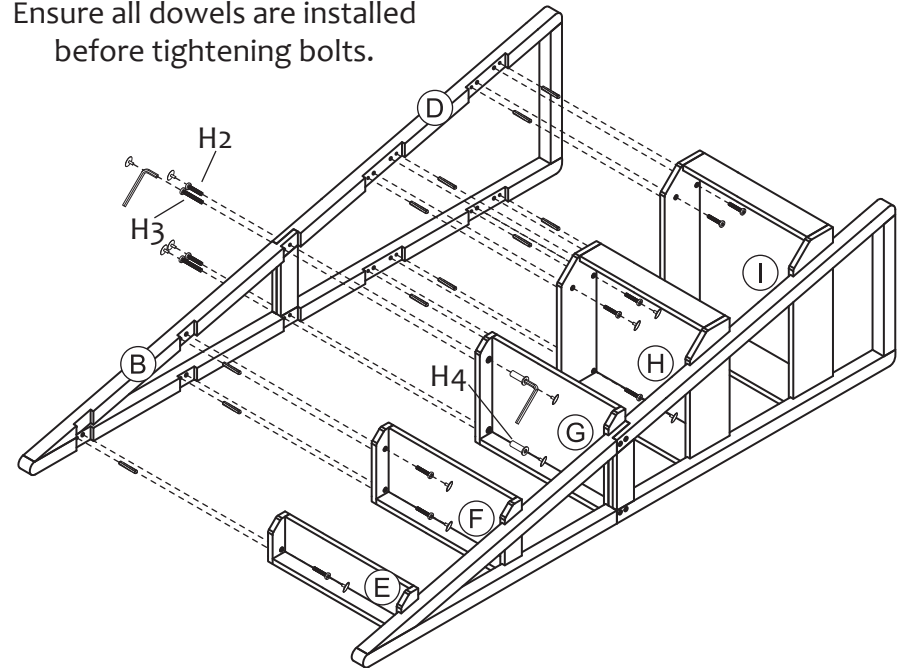
**H5 x 1**  
ALLEN  
WRENCH



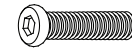
**H6 x 11**  
PLASTIC  
COVER

### STEP 4

Ensure all dowels are installed before tightening bolts.



**H1 x 11**  
WOODEN  
DOWEL



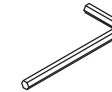
**H2 x 13**  
SMALL  
BOLT



**H3 x 2**  
LARGE  
BOLT



**H4 x 2**  
BINDING  
SCREW

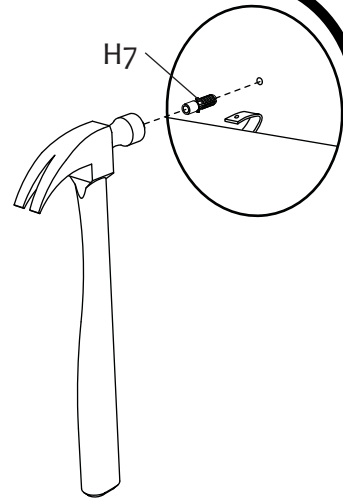
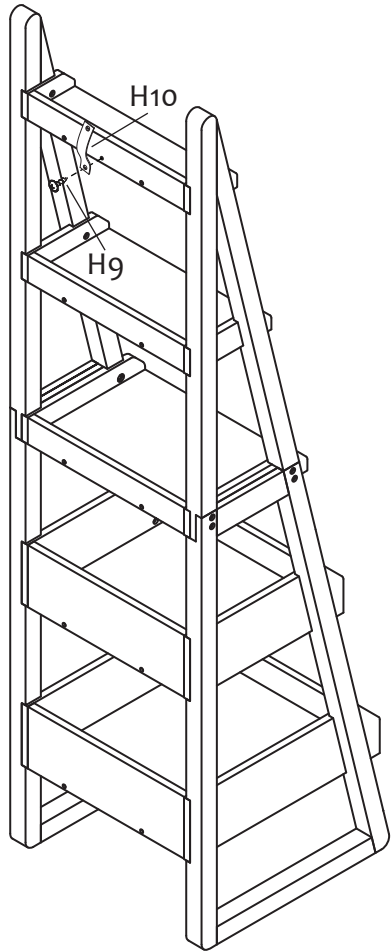


**H5 x 2**  
ALLEN  
WRENCH

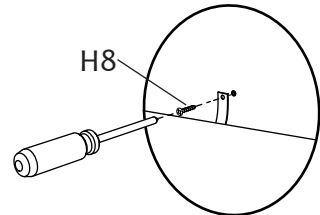


**H6 x 17**  
PLASTIC  
COVER

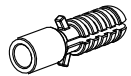
# STEP 5



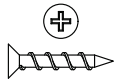
Position against wall  
Mark position of strap hole  
on wall  
Drill 1/4" hole  
tap in wall anchor



Fasten anti-tip strap with  
wall screw provided



**H7 x 1**  
**WALL**  
**ANCHOR**



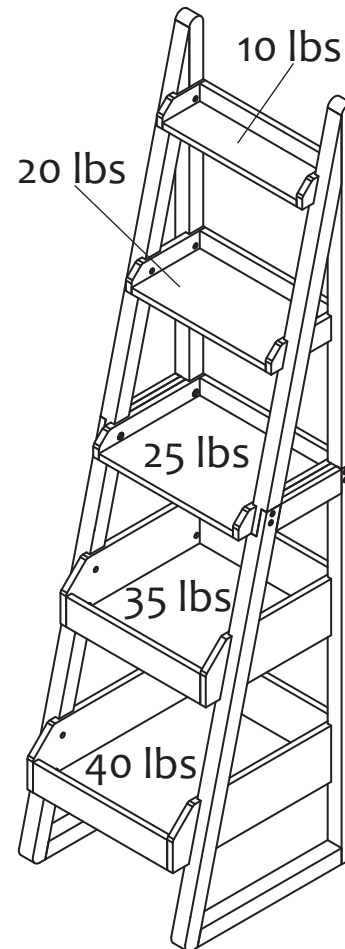
**H8 x 1**  
**FLAT HEAD**  
**SCREW**



**H9 x 1**  
**TRUSS HEAD**  
**SCREW**



**H10 x 1**  
**WALL**  
**STRAP**



**WARNING:** Do not exceed the recommended weight limits on the designated panels. Exceeding these limits could cause sagging, possibly resulting in failure of product or bodily injury. Severe injury may occur if furniture tips over. Never allow children to climb or play on this product. Place heaviest items on lower shelves and as far back as possible, never overload product.