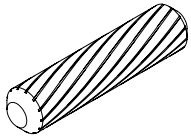
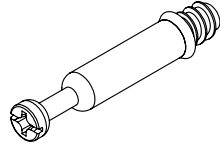


A	Top Panel	1
B	Left Panel	1
C	Right Panel	1
D	Bottom Panel	1
E	Back Panel	1
F	Partition	2
G	Front Panel	1
H	Cushion	1

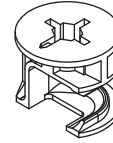
Please review the hardware listed on the next page as well as individual components of this product. As you unpack and prepare for assembly, place the contents on a carpeted or padded area to protect them from damage.



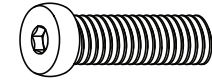
**H1 x 26
DOWEL**



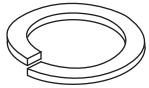
**H2 x 26
CAM BOLT**



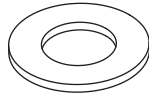
**H3 x 26
CAM**



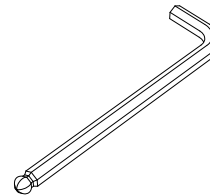
**H4 x 4
BOLT**



**H5 x 4
LOCK WASHER**

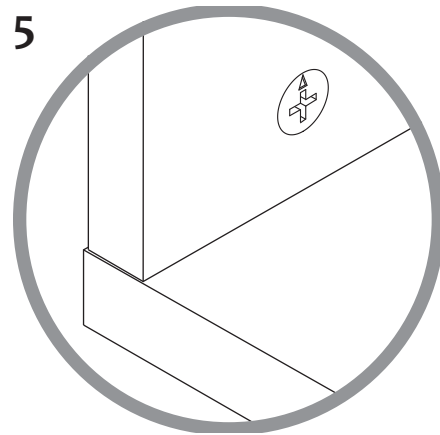
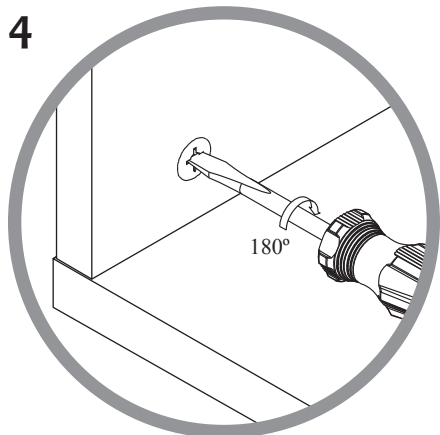
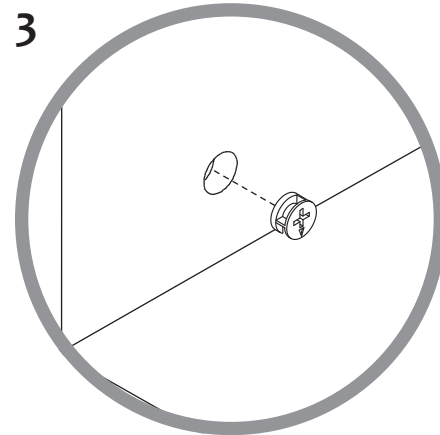
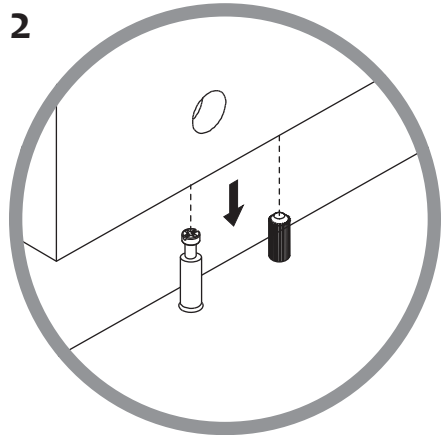
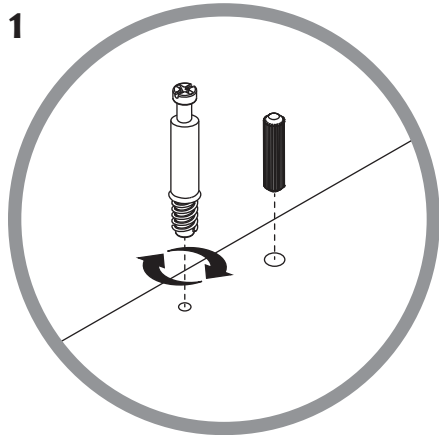


**H6 x 4
WASHER**

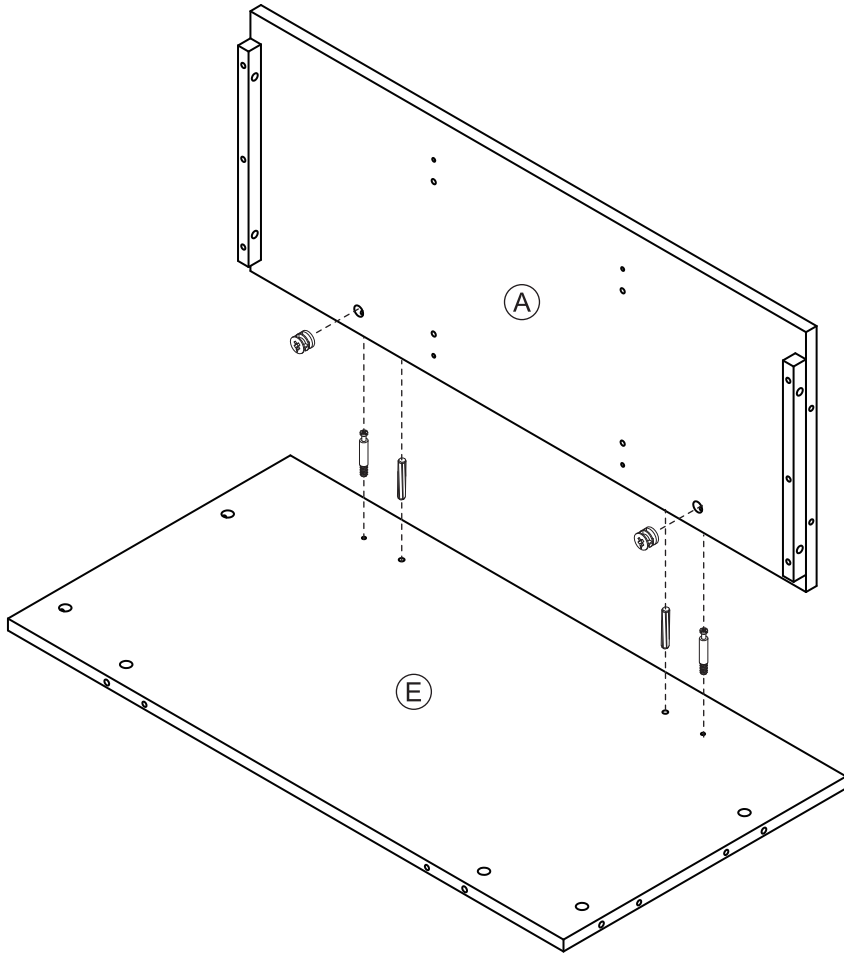


**H7 x 1
ALLEN
WRENCH**

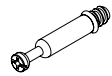
TOOLS REQUIRED: PHILLIPS SCREWDRIVER



STEP 1



H1 x 2
DOWEL

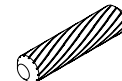
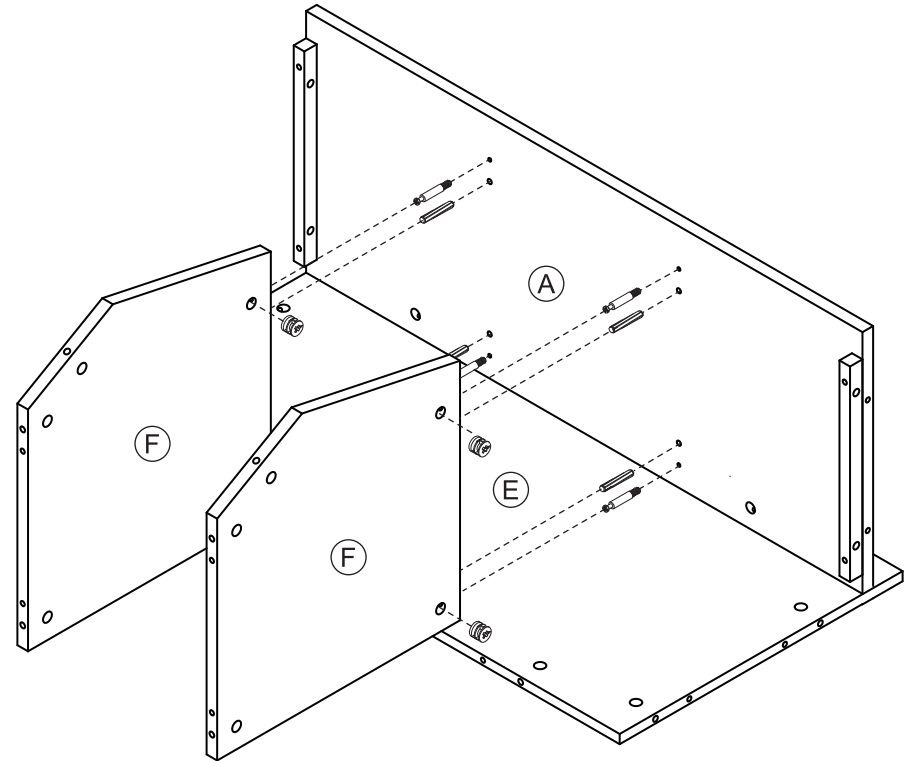


H2 x 2
CAM BOLT

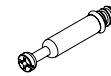


H3 x 2
CAM

STEP 2



H1 x 4
DOWEL

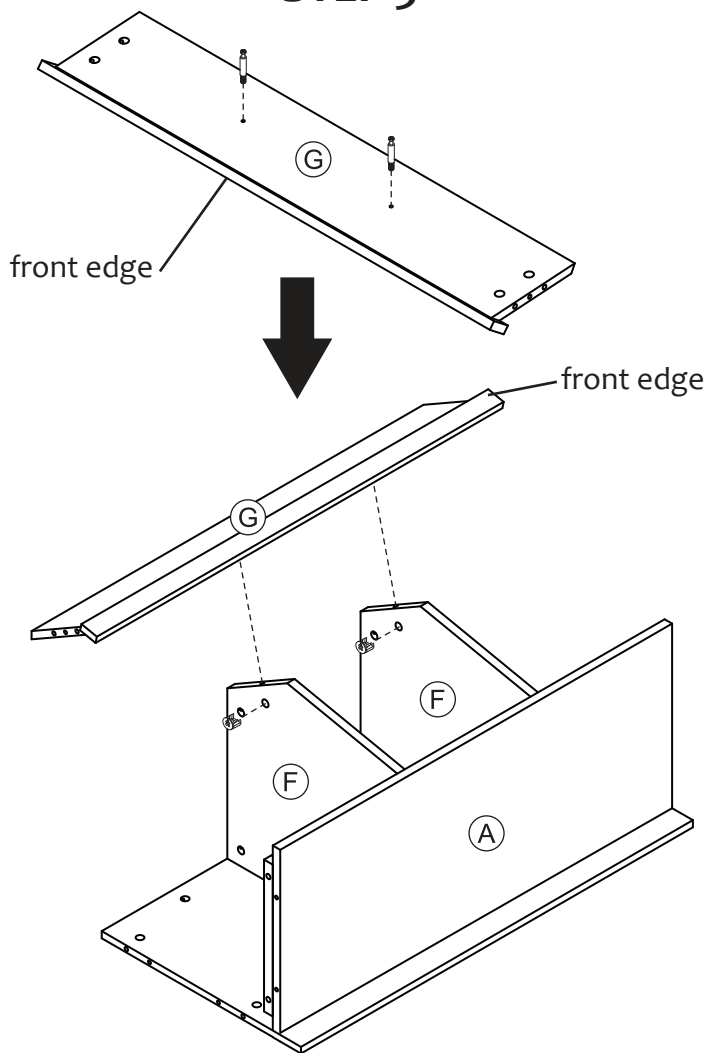


H2 x 4
CAM BOLT

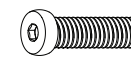
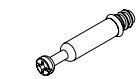
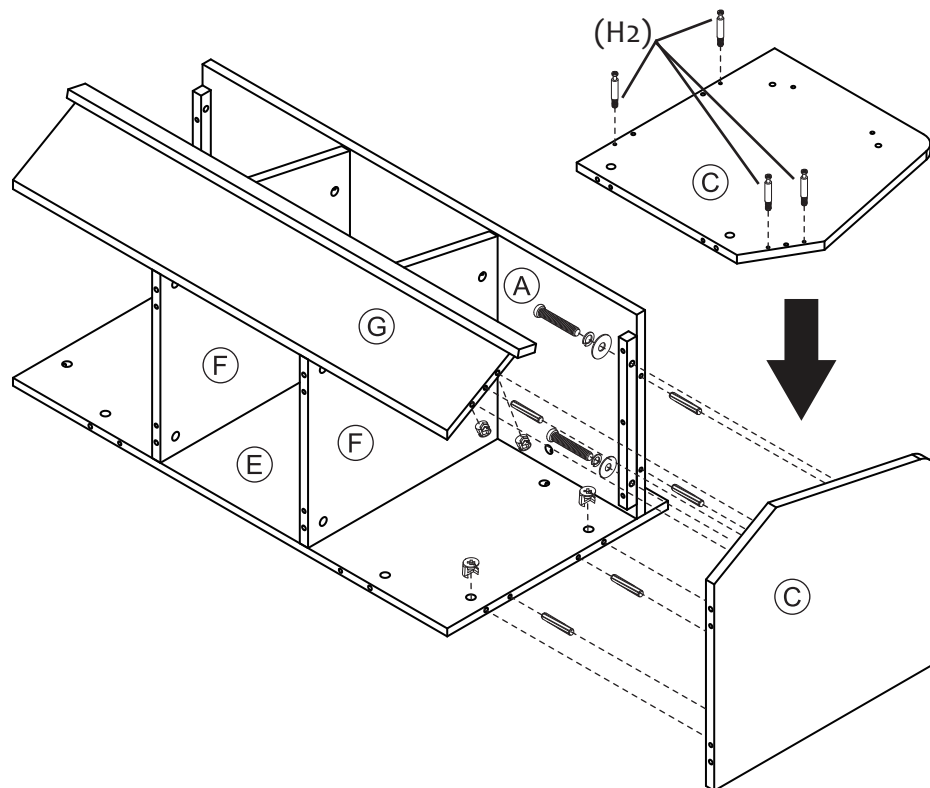


H3 x 4
CAM

STEP 3



STEP 4



H1 x 5
DOWEL

H2 x 4
CAM BOLT

H3 x 4
CAM

H4 x 2
BOLT

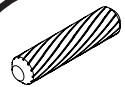
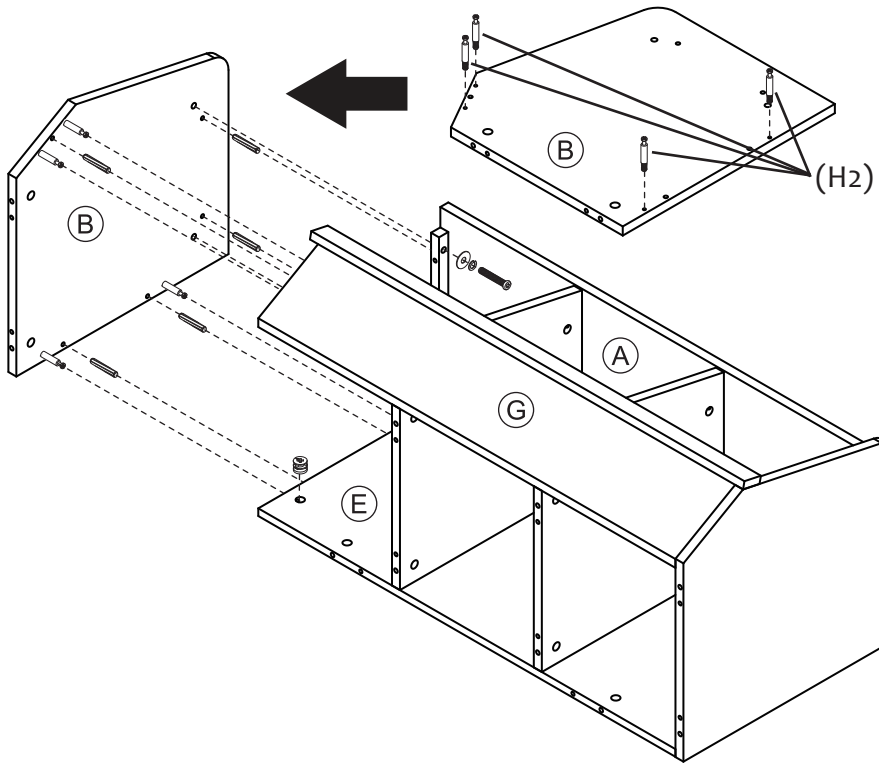


H5 x 2
LOCK
WASHER

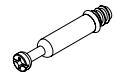
H6 x 2
WASHER

H7 x 1
ALLEN
WRENCH

STEP 5



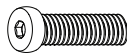
H1 x 5
DOWEL



H2 x 4
CAM BOLT



H3 x 4
CAM



H4 x 2
BOLT



H5 x 2
LOCK
WASHER

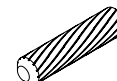
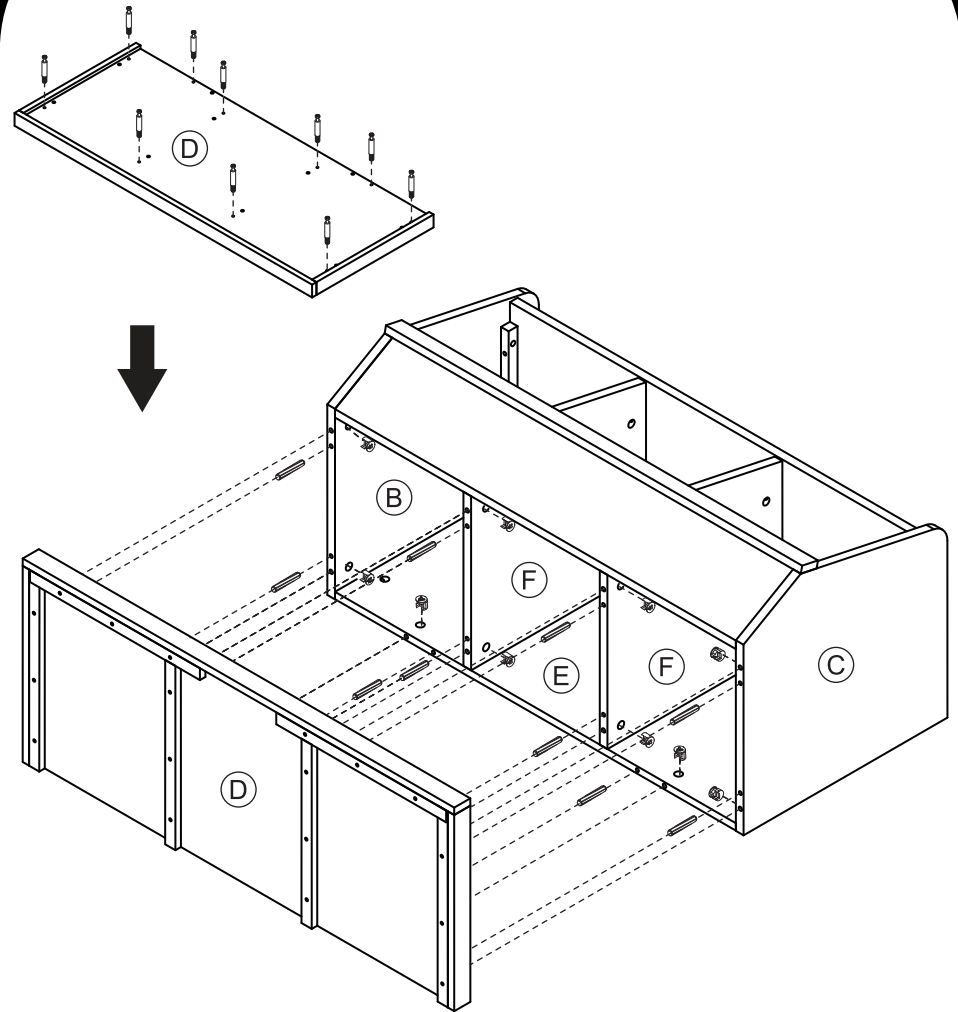


H6 x 2
WASHER

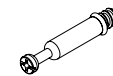


H7 x 1
ALLEN
WRENCH

STEP 6



H1 x 10
DOWEL

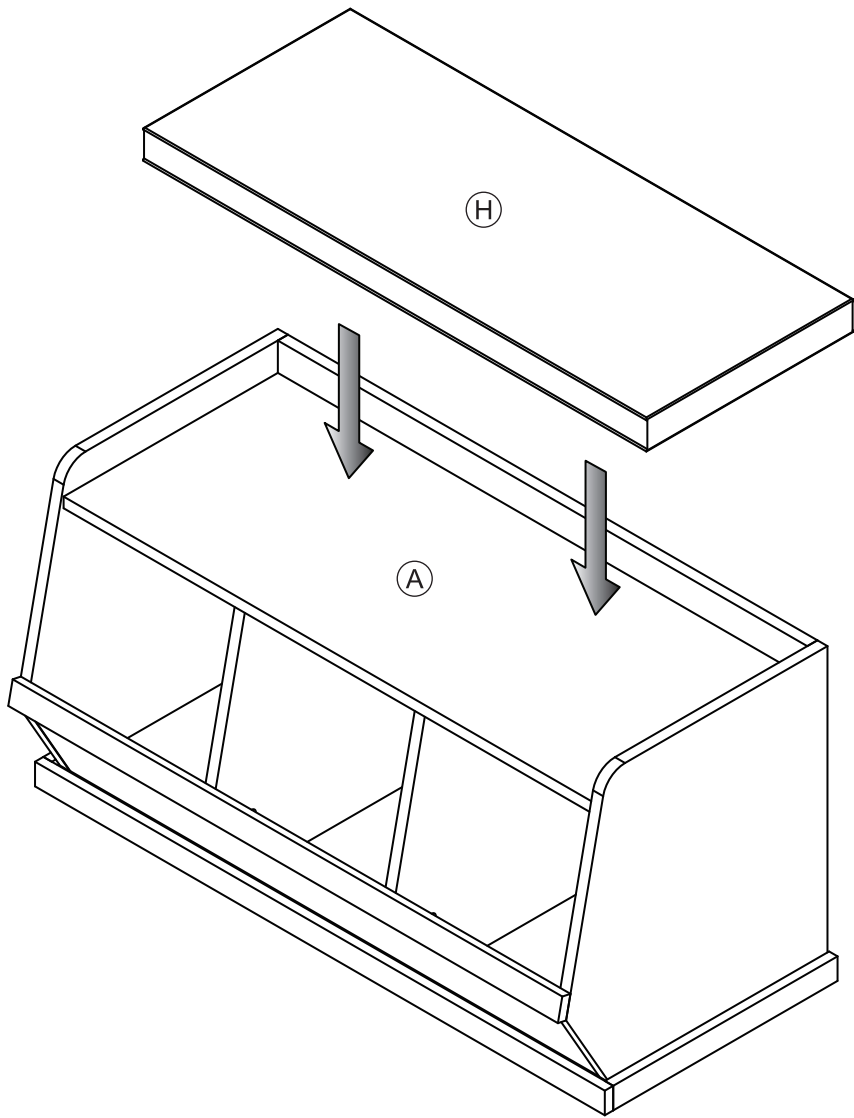


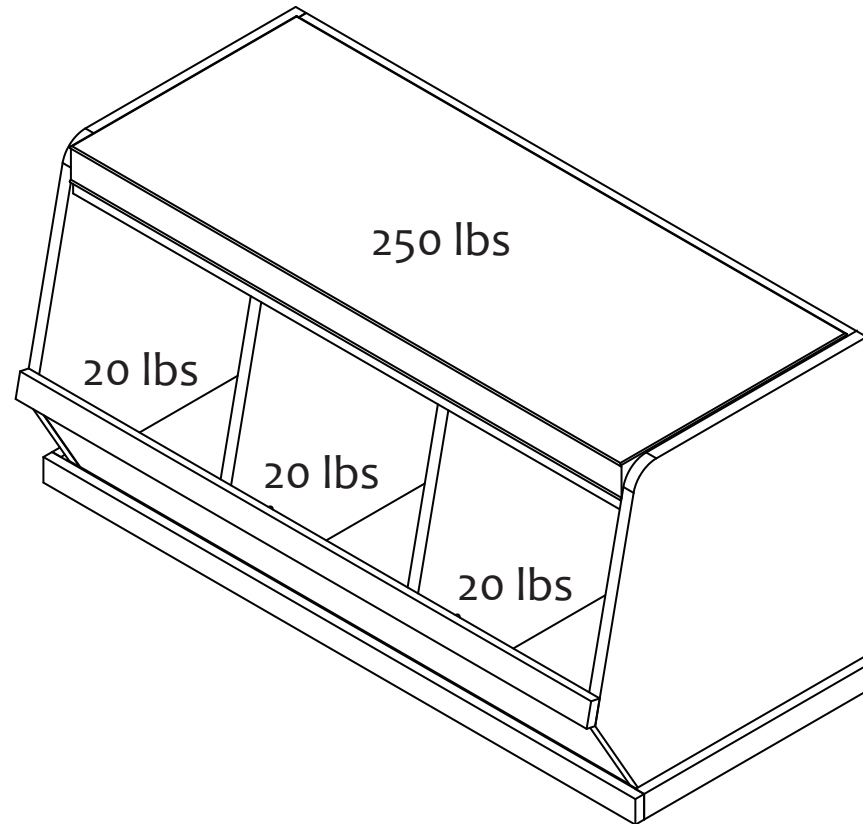
H2 x 10
CAM BOLT



H3 x 10
CAM

STEP 7





WARNING: Do not exceed the recommended weight limits on the designated panels. Exceeding these limits could cause sagging, possibly resulting in failure of product or bodily injury. Severe injury may occur if furniture tips over. Never allow children to climb or play on this product. Place heaviest items on lower shelves and as far back as possible, never overload product.