



Instructions for Kid's Coloring Table Assembly

The Container Store®

We know you will be amazed with the ease of assembling elfa®. If at any time you have any questions, call the store phone number listed on your receipt or 1-800-733-3532.

To build elfa® Frames and Drawers:

Tool needed: plastic mallet

TIP

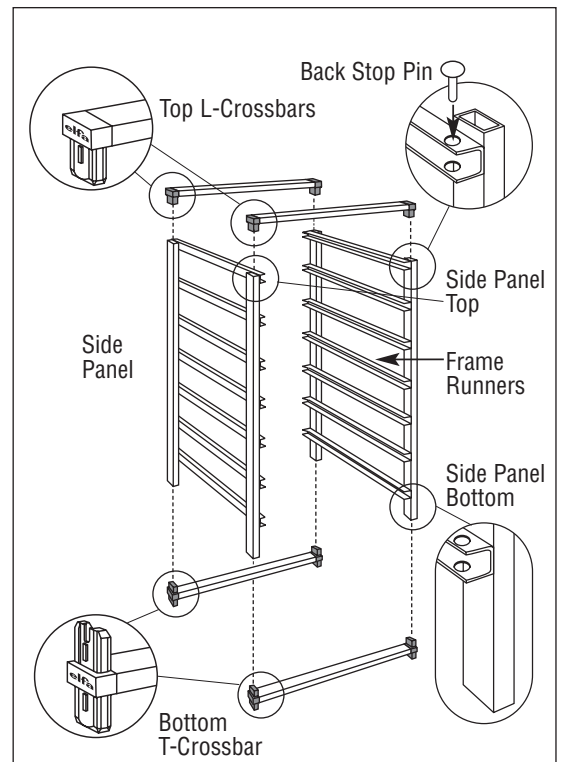
- If you don't have a plastic mallet, you can use a hammer with a wood block to protect the Frame.

Step 1

- Position the elfa® Frame Runners facing inward.
- Using a plastic mallet, tap the Bottom T-Crossbars into the bottom of each Side Panel.

Step 2

- If using Back Stop Pins, put a Back Stop Pin in each of the back holes of the top runners before inserting the Top L-Crossbars.
- Tap the Top L-Crossbars completely into each Side Panel.
- Insert remaining Back Stop Pins.
- Repeat for the other Drawer Solution.



To attach the Desk Top:

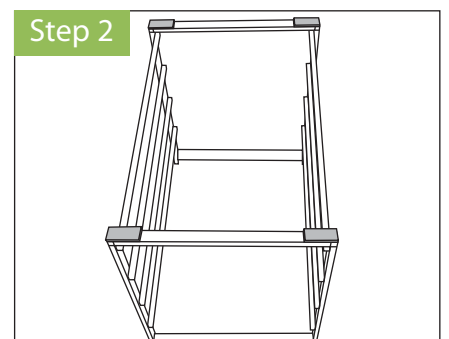
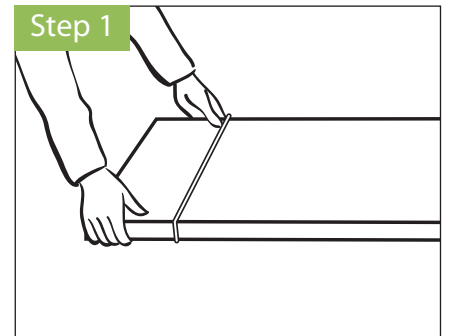
Note: There is not a designated top or bottom to the Desk Top.

Step 1

Place one Band-It® on either end of the Desk Top, about 3" from the edge, taking care to leave room for the Velcro® strips in the next step.

Step 2

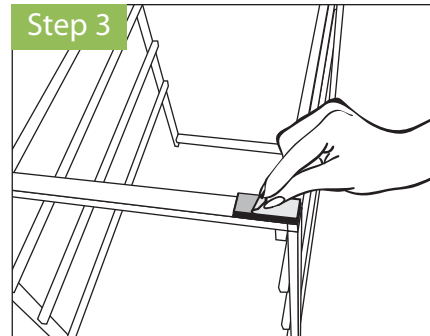
- Cut eight, 1-1/2" strips of Velcro®.
- Secure the Velcro® pieces (hook and loop) together.
- Remove the protective backing from one side of the Velcro®.
- Adhere and place a strip of Velcro® at each of the four corners of both Drawer Solutions.



Instructions for Kid's Coloring Table Assembly (Cont.)

Step 3

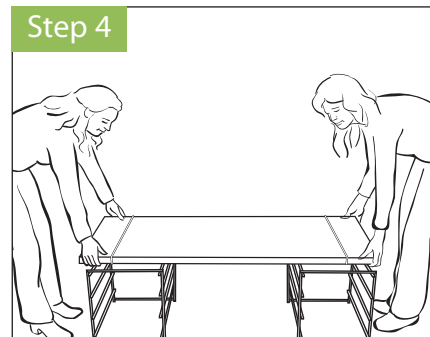
- Remove the protective backing from the Velcro® strips on top of the Drawer Solutions.



Step 4

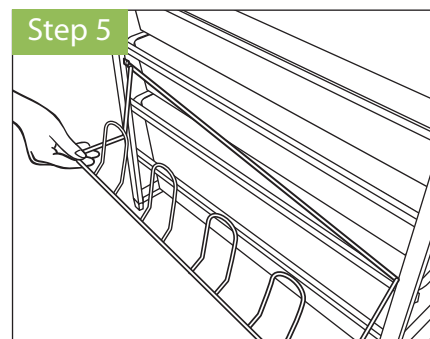
When determining placement of the Desk Top, keep in mind that the Drawer Solutions should be spaced far enough apart to allow room for a child's chair.

Carefully place the Desk Top on top of the Drawer Solutions, making sure there is about a 1" overlap of the Desk Top. Press firmly to secure.



Step 5

- The two elfa® Hangmate Shoe Racks, which will hold the roll of drawing paper, should be attached to the outside of the completed solution. Each should be placed on the second runner up from the floor on both sides.
- Angle the Hangmate so that one end slides behind the Frame, then drop the other end into place. Repeat on the other side.



Step 6

Once both elfa® Hangmate Shoe Racks are in place, the roll of paper can be placed on one end and threaded under the Band-Its® to the other side.

Step 7

- Attach the Corner Cushions according to instructions on the packaging.
- Slide in the Drawers.

